

# WL7-vers.C

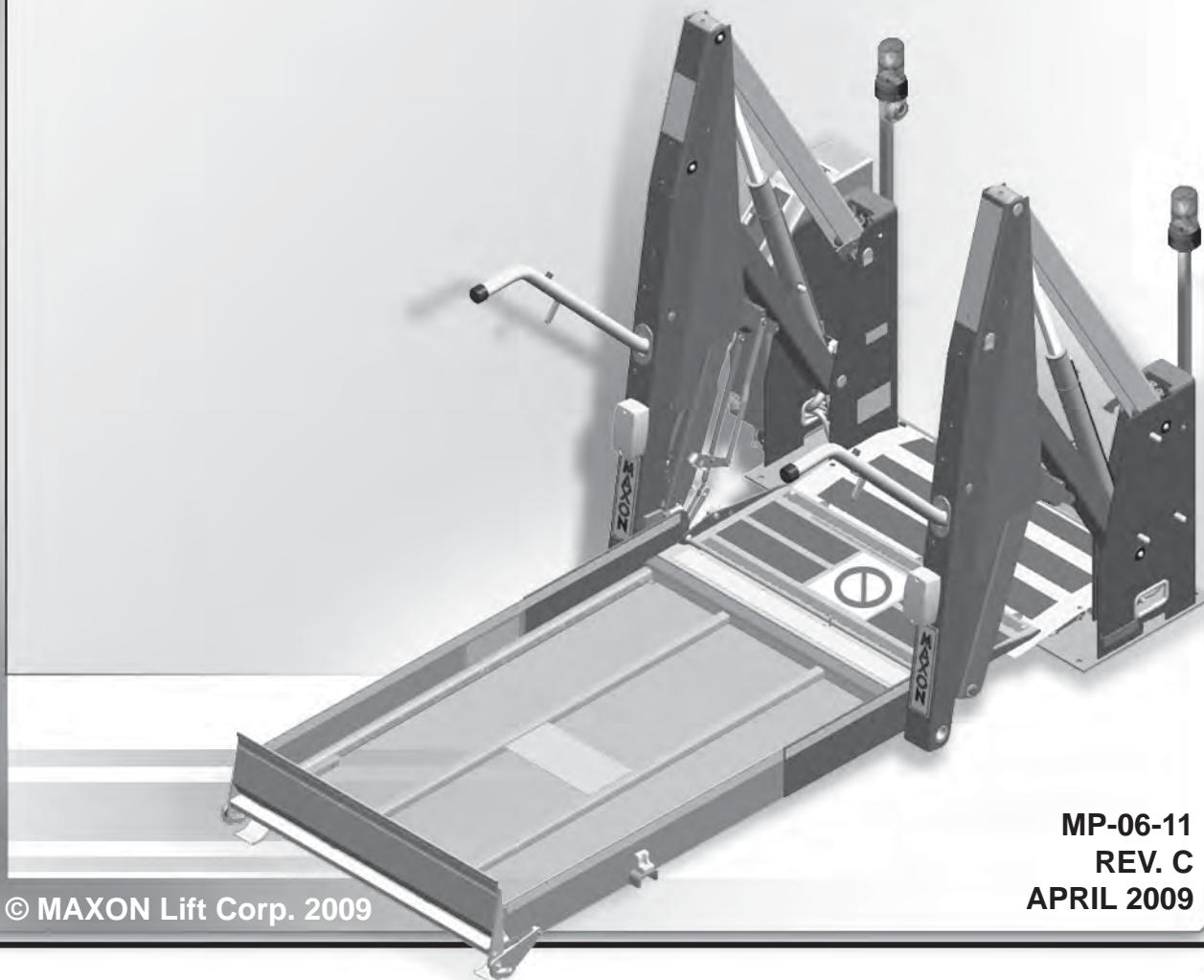
# MAXON<sup>®</sup> MOBILITY<sup>™</sup>

## MAINTENANCE MANUAL FOR WHEELCHAIR LIFT MODEL NO.

- WL7-vers. C
- WL7-vers. C-1K

DOT-Public Use Lift

PATENTS PENDING



© MAXON Lift Corp. 2009

MP-06-11  
REV. C  
APRIL 2009





11921 Slauson Ave.  
Santa Fe Springs, CA. 90670

## WARRANTY/ RMA POLICY & PROCEDURE

### CUSTOMER SERVICE:

TELEPHONE (562) 464-0099 TOLL FREE (800) 227-4116

FAX: (888) 771-7713

NOTE: Download the latest version of manuals from the Maxon Mobility website at [www.maxonmobility.com](http://www.maxonmobility.com).

## MOBILITY WARRANTY

### LIFT WARRANTY

Type of Warranty: Full Parts and Labor

Term of Warranty: 3 years from ship date or 18,000 lift/lower cycles

This warranty shall not apply unless the product is installed, operated and maintained in accordance with MAXON Lift's specifications as set forth in MAXON Lift's Installation, Operation and Maintenance manuals. This warranty does not cover normal maintenance or adjustments, damage or malfunction caused by improper handling, installation, abuse, misuse, negligence, or carelessness of operation. In addition, this warranty does not cover equipment that has had unauthorized modifications or alterations made to the product.

MAXON agrees to replace any components which are found to be defective during the first 3 years of service, or 18,000 lift/lower cycles, whichever occurs first, and will reimburse for labor based on MAXON's Mobility Warranty Flat Rate Schedule.

All warranty repairs must be performed by an authorized MAXON Mobility warranty facility. For any repairs that may exceed \$500, including parts and labor, MAXON's Technical Service Department must be notified and an "Authorization Number" obtained. All repairs must be completed using genuine MAXON replacement parts.

All claims for warranty must be received within 30 Days of the repair date, and include the following information:

1. Wheelchair Lift Model Number and Serial Number
2. Number of "LIFTS" displayed on the Lift Controller
3. End User information, name and phone number
4. Detailed Description of Problem
5. Corrective Action Taken, and Date of Repair
6. Parts used for Repair, Including MAXON Part Number(s)
7. MAXON R.M.A. # and/or Authorization # if applicable (see below)
8. Person contacted at MAXON, if applicable
9. Claim must show detailed information, i.e. Labor rate and hours of work performed

Warranty claims can also be placed on-line at [www.maxonlift.com](http://www.maxonlift.com). Online claims will be given priority processing.

All components may be subject to return for inspection, prior to the claim being processed. MAXON products may not be returned without prior written approval from MAXON's Technical Service Department. Returns must be accompanied by a copy of the original invoice and are subject to a credit deduction to cover handling charges and any necessary reconditioning costs. **Unauthorized returns will be refused and become the responsibility of the returnee.**

Any goods being returned to MAXON Lift must be pre-approved for return, and have the R.M.A. number written on the outside of the package in plain view, and returned freight prepaid. All returns are subject to a 15% handling charge if not accompanied by a detailed packing list.

MAXON's warranty policy does not include the reimbursement for travel time, towing, vehicle rental, service calls, oil, batteries or loss of income due to downtime. Fabrication or use of non Maxon parts, which are available from MAXON, is also not covered.

MAXON Mobility's Flat Rate Labor Schedule takes into consideration the time required for diagnosis of a problem.

All returned Lifts are subject to inspection and a 15% restocking fee. Any returned Lifts or components that have been installed or not returned in new condition will be subject to an additional reworking charge which will be based upon the labor and material cost required to return the Lift or component to new condition.

### PURCHASE PART WARRANTY

Term of Warranty: 1 Year from Date of Purchase.

Type of Warranty: Part replacement only

MAXON will guarantee all returned genuine MAXON replacement parts upon receipt and inspection of parts and original invoice.

All warranty replacements parts will be sent out via ground freight. If a Rush Shipment is requested, all freight charges will be billed to the requesting party.

Defective Parts requested for return must be returned within 30 days of the claim date for consideration to:

MAXON Lift Corp.  
10321 Greenleaf Ave., Santa Fe Springs, CA 90670  
Attn: RMA# \_\_\_\_\_

# TABLE OF CONTENTS

<b>SAFETY SUMMARY</b> .....	<b>6</b>
<b>WARNINGS</b> .....	<b>6</b>
LIFT COMPONENTS & TERMINOLOGY.....	8
<b>MAINTENANCE SCHEDULE</b> .....	<b>10</b>
CHECKING HYDRAULIC FLUID LEVEL .....	11
CHANGING HYDRAULIC FLUID .....	13
<b>ADJUSTMENTS</b> .....	<b>17</b>
MAT SWITCH ADJUSTMENT .....	17
CHANGING CONTROLLER TO SPANISH OR ENGLISH (IF REQUIRED) .....	22
STOW SWITCH ADJUSTMENT .....	26
FLOOR POSITION ADJUSTMENT .....	29
INBOARD SWITCH ADJUSTMENT .....	34
<b>PARTS BREAKDOWN</b> .....	<b>36</b>
MAIN ASSEMBLY-1 .....	36
PINCH SHIELDS .....	37
MAIN ASSEMBLY-2.....	38
LH PLATFORM CLOSER.....	42
INROLL SUPPORT BRACKET .....	46
MAIN ASSEMBLY-3.....	48
RH PLATFORM CLOSER .....	52
MAIN ASSEMBLY-4.....	54
PLATFORM ASSEMBLY .....	56
INROLL RAMP (INBOARD ROLLSTOP) .....	60
HYDRAULIC COMPONENTS .....	62
12 VDC POWER UNIT .....	64
<b>PATENTS PENDING</b>	

ELECTRICAL COMPONENTS .....	66
<b>DECALS AND DECAL PLACEMENT .....</b>	<b>70</b>
DECALS FOR WL7-vers. C.....	71
DECALS FOR WL7-vers. C-1K.....	72
SERIAL PLATE & CONTROLLER.....	74
ANTI-SLIP & SAFETY STRIPING .....	75
<b>TROUBLESHOOTING .....</b>	<b>78</b>
CONTROLLER DISPLAY READINGS .....	78
DIAGNOSTIC MODE .....	84
DC RELAY READINGS .....	88
<b>SYSTEM DIAGRAMS .....</b>	<b>89</b>
HYDRAULIC SYSTEM DIAGRAM .....	89
ELECTRICAL SYSTEM DIAGRAM.....	90

# SAFETY SUMMARY

Comply with the following **WARNINGS** and safety precautions while maintaining the Wheel-chair Lift. See Operator's Manual for operating safety requirements.

## **WARNING**

1. Read and understand the instructions in this **Maintenance Manual** before performing maintenance on the Lift.
2. Before operating the Lift, read and understand the operating instructions contained in the **Operator's Manual**.
3. Comply with all **WARNING** and instruction decals attached to the Lift.
4. Consider the safety and location of bystanders and location of nearby objects when operating the Lift. Stand to one side of platform while operating the Lift.
5. Do not allow untrained persons to operate the Lift.
6. Do not stand, or allow obstructions, under the platform when lowering the Lift. **Be sure your feet are clear of the Lift.**
7. **Keep fingers, hands, arms, legs, and feet clear of moving Lift parts (and platform edges) when operating this unit.**
8. Wear appropriate safety equipment, such as protective eyeglasses, faceshield and clothing while performing maintenance on the Lift and handling the vehicle battery. Debris from cutting and drilling, and contact with battery acid, may injure eyes and exposed skin.
9. Be careful working by a vehicle battery. Make sure the work area is well ventilated and there are no flames or sparks near the battery. Never lay objects on the battery that can short the terminals together. If battery acid gets in your eyes, immediately seek first aid. If acid gets on your skin, immediately wash it off with soap and water.
10. If an emergency situation arises (vehicle or Lift) while operating the Lift, immediately release the hand pendant switch.
11. A correctly installed Lift operates smoothly and reasonably quiet. The only noticeable noise, during Lift operation, is from the pump unit while the platform is raised and folded. Listen for scraping, grating and binding noises and correct the problem before continuing to operate the Lift.
12. Keep decals clean and legible. If decals are illegible or missing, replace them. **Free replacement decals** are available from **Maxon Customer Service**.
13. Use only **Maxon Authorized Parts** for replacement parts. Order replacement parts from:

**MAXON LIFT CORP. - Customer Service**  
11921 Slauson Ave., Santa Fe Springs, CA 90670  
Phone: (800) 227-4116  
Email: [cservice@maxonlift.com](mailto:cservice@maxonlift.com)

Provide the Lift model and serial number information with your order.

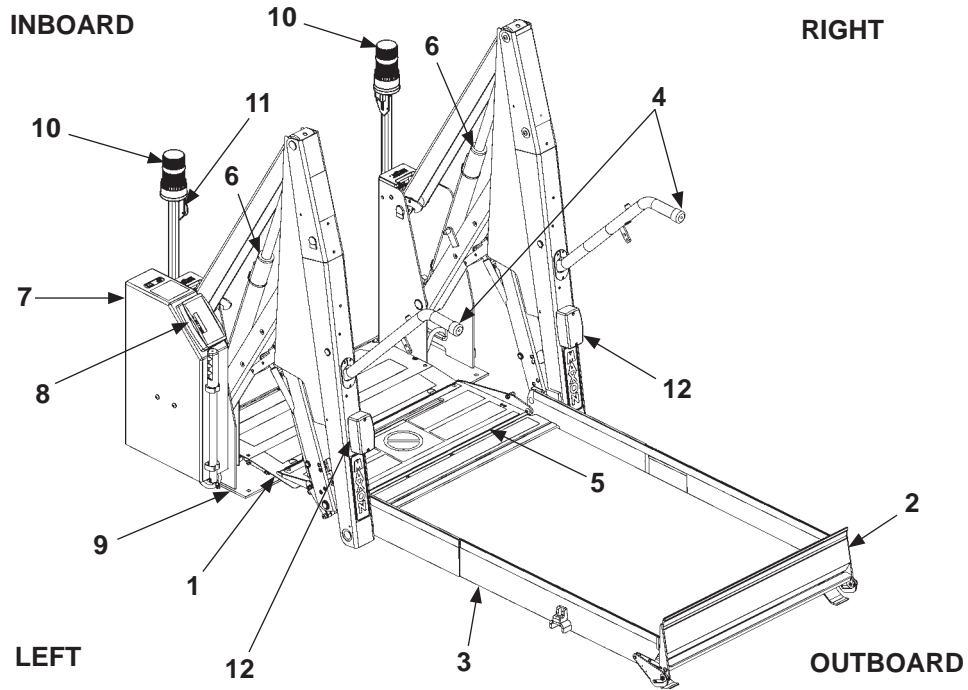
THIS PAGE INTENTIONALLY LEFT BLANK

**MAXON**<sup>®</sup> 11921 Slauson Ave. Santa Fe Springs, CA. 90670 (800) 227-4116 FAX (888) 771-7713

# LIFT COMPONENTS & TERMINOLOGY

**MAXON**<sup>®</sup>

11921 Slauson Ave. Santa Fe Springs, CA. 90670 (800) 227-4116 FAX (888) 771-7713



LIFT COMPONENTS (SEE TABLE 9-1)  
FIG. 8-1



<b>ITEM</b>	<b>NAME</b>	<b>DESCRIPTION</b>
1.	THRESHOLD PLATE	Detects if a portion of Lift is occupied during “UP/DOWN” operation between vehicle floor and the ground.
2.	OUTBOARD ROLLSTOP	Barrier to prevent the wheelchair from rolling off of the platform. Provides entry/exit ramp for platform on the ground.
3.	PLATFORM	Contains the wheelchair and occupant during “UP/DOWN” operation between vehicle floor and the ground.
4.	HANDRAILS	(Left/Right) Provides a hand hold for the Lift occupant.
5.	INBOARD ROLLSTOP	Barrier to prevent the wheelchair from rolling off inboard side of platform. Provides bridge between platform and threshold.
6.	HYDRAULIC CYLINDER	(Left/Right) Telescoping steel tube and rod, pressurized by hydraulic fluid, that folds and unfolds the Lift and moves the Lift up and down.
7.	HYDRAULIC POWER UNIT (COVER IS SHOWN)	Contains motorized hydraulic pump, manually operated backup pump, fluid lines, and controls to operate the hydraulic cylinders.
8.	LIFT CONTROLLER (BRAIN BOX)	Electronic device that controls and monitors Lift operation and the interlock connection with the vehicle.
9.	BASE	Structure that secures Lift to the vehicle floor.
10.	THRESHOLD WARNING BEACON	Flashing red light indicates threshold is occupied by a person or object when the platform is below floor level. Indicates outboard rollstop is open if platform is at floor level.
11.	THRESHOLD WARNING ALARM	Audible alarm sounds when threshold is occupied by a person or object when the platform is below floor level. Indicates outboard rollstop is open if platform is at floor level.
12.	PLATFORM LIGHTS	Illuminates the platform when ready to load at floor level and during “UP/DOWN” operation between vehicle floor and the ground.

**TABLE 9-1**

**MAXON**<sup>®</sup> 11921 Slauson Ave. Santa Fe Springs, CA. 90670 (800) 227-4116 FAX (888) 771-7713

# MAINTENANCE SCHEDULE

**NOTE:** The Lift controller counts the number of cycles & lifts over the lifetime of the Lift. One **CYCLE** is counted each time the Lift is unfolded from the stowed position to floor level, lowered to the ground, raised to floor level, and then stowed. One **LIFT** is counted each time the Lift is lowered from floor level to the ground, and raised back to floor level. Read the **LIFTS** and **CYCLES** counts from the Lift controller display window periodically so you know when to do the maintenance checks listed below.

## EVERY 500 LIFTS

- Visually check the Lift for bent, broken, or worn out parts, and broken welds.
- Check the electrical wiring for worn insulation, and the terminals for corrosion and secure fit. Apply dielectric grease to connections if needed.
- Check for loose fasteners (nuts, bolts, screws & rivets). Also, check cotter pins, clevis pins, retaining ring pins & retaining rings for noticeable wear and damage.
- Check that all decals are in place, undamaged, and legible (**see PARTS BREAKDOWN, DECALS**).
- Check that all anti-slip and safety striping is in place and undamaged (**see PARTS BREAKDOWN, ANTI-SLIP & SAFETY STRIPING**).
- Clean dust and debris from outboard switch & ground switch (magnetic switches on platform). (**See ELECTRICAL COMPONENTS in this Manual.**)

## EVERY 2500 CYCLES

- Visually inspect the latch solenoids. If necessary, replace both latch solenoids P/N 266955-01 (**see PARTS BREAKDOWN, ELECTRICAL COMPONENTS, Item 19**).
- Apply multi-use teflon spray lubricant to the inboard rollstop spring lock & the plunger switch spring on the Lift.

## EVERY 5000 LIFTS

- Replace both platform light bulbs P/N 906475-01 (**see PARTS BREAKDOWN, ELECTRICAL COMPONENTS, Items 26A & 27A**).

## EVERY 10000 LIFTS

- Check both hydraulic cylinders for leaks. If a film of hydraulic fluid is visible on cylinder seals, Lift can still be operated. However, if fluid is dripping from the cylinders, replace them (**see PARTS BREAKDOWN, HYDRAULIC COMPONENTS, Item 8**).

**NOTE:** To confirm compliance with **Federal Motor Vehicle Safety Standard 403**, refer to the **COMPLETED LIFT INSTALLATION CHECKLIST** in the Installation Manual.

**MAXON**<sup>®</sup>

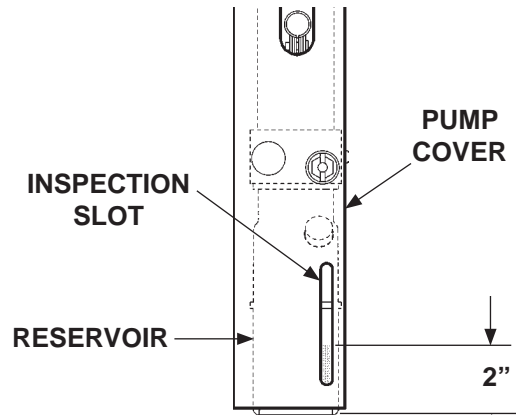
11921 Slauson Ave. Santa Fe Springs, CA. 90670 (800) 227-4116 FAX (888) 771-7713

# CHECKING HYDRAULIC FLUID LEVEL

## CAUTION

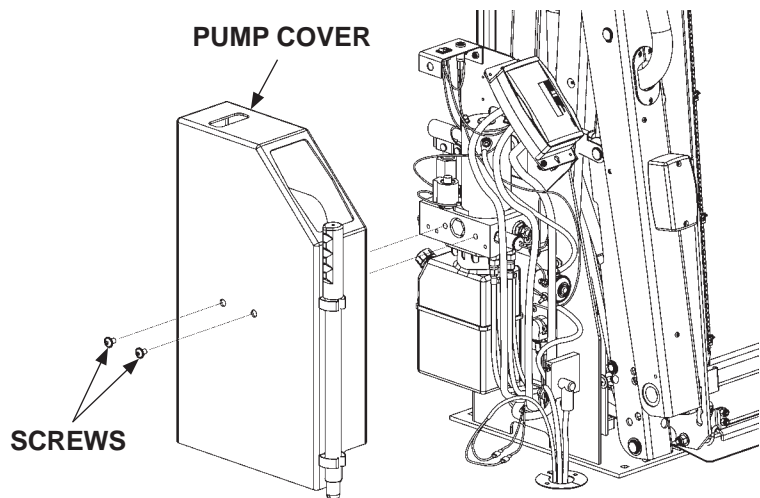
Keep dirt, water and other contaminants from entering the hydraulic system. Before opening the hydraulic fluid reservoir filler cap, drain plug and hydraulic lines, wipe off contaminants that can get in the openings. Also, protect the openings from accidental contamination.

1. Check the hydraulic fluid level in reservoir as follows. With Lift in **STOWED**, fluid level should be as shown in **FIG. 11-1**.



**HYDRAULIC FLUID LEVEL  
(LH PUMP SHOWN)  
FIG. 11-1**

2. If needed, add fluid to the reservoir as follows. Unbolt the pump cover as shown in **FIG. 11-2**.



**BOLTING ON THE PUMP COVER  
(LH PUMP SHOWN)  
FIG. 11-2**

# CHECKING HYDRAULIC FLUID LEVEL - Continued

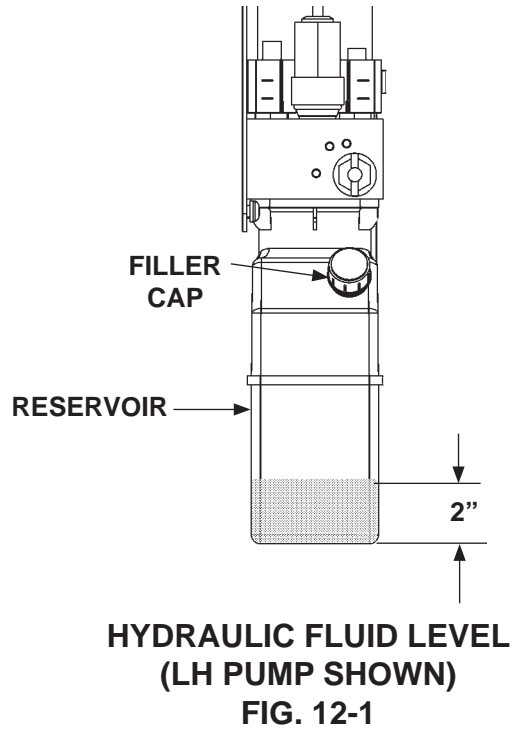
3. Pull out filler cap (**FIG. 12-1**). Fill the reservoir with hydraulic fluid (**TABLE 12-1**) to level shown in **FIG. 12-1**. Reinstall filler cap (**FIG. 12-1**).

RECOMMENDED HYDRAULIC FLUID	
BRAND	PART NUMBER
ROSEMEAD	THS FLUID 17111
EXXON	UNIVIS HVI 26

**TABLE 12-1**

**NOTE:** If the expected seasonal temperatures are below 20°F, use MIL-H-5606G hydraulic fluid.

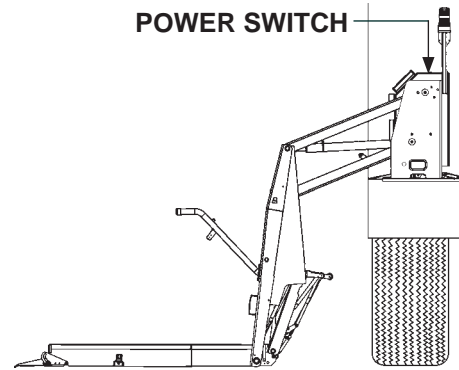
4. Bolt on the pump cover as shown in **FIG. 11-2**. Tighten the 5/16"-18 cover screws until snug.



**MAXON**<sup>®</sup> 11921 Slauson Ave. Santa Fe Springs, CA. 90670 (800) 227-4116 FAX (888) 771-7713

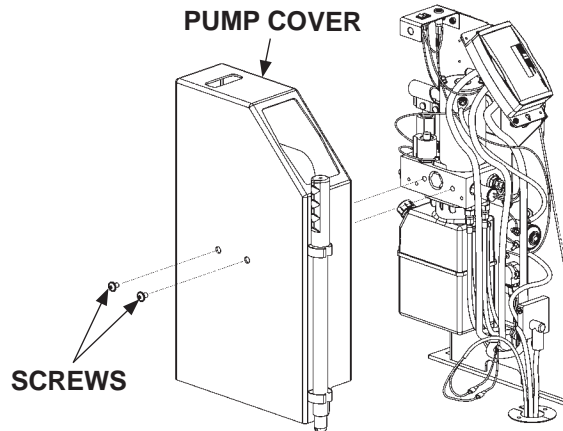
# CHANGING HYDRAULIC FLUID

1. Make sure power switch (**FIG. 13-1**) is turned on. Then, lower platform to the ground (**FIG. 13-1**).



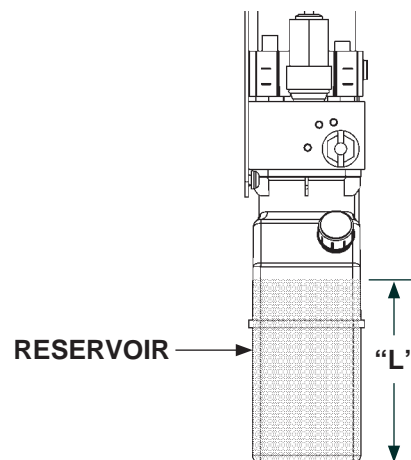
**LIFT AT GROUND LEVEL  
(RH SIDE SHOWN)  
FIG. 13-1**

2. Unbolt the pump cover as shown in **FIG. 13-2**.



**UNBOLTING PUMP COVER  
(LH PUMP SHOWN)  
FIG. 13-2**

3. Measure hydraulic fluid level "L" in reservoir (**FIG. 13-3**).



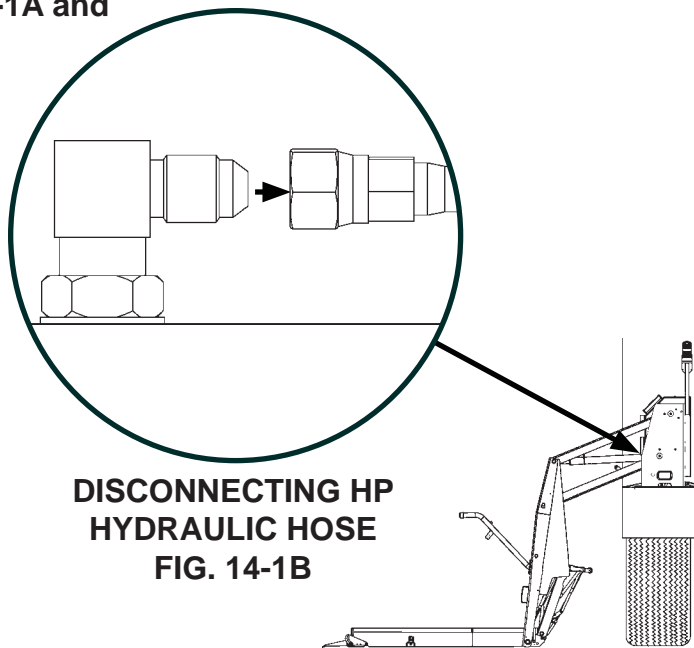
**MEASURING HYDRAULIC FLUID LEVEL  
(LH PUMP SHOWN)  
FIG. 13-3**

# CHANGING HYDRAULIC FLUID - Continued

## CAUTION

Keep dirt, water and other contaminants from entering the hydraulic system. Before opening the hydraulic fluid reservoir filler cap, drain plug and hydraulic lines, wipe off contaminants that can get in the openings. Also, protect the openings from accidental contamination.

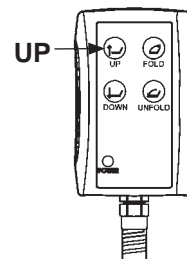
4. On the cylinder farthest from the pump, disconnect high pressure (HP) hose from elbow fitting on the cylinder (**FIGS. 14-1A and 14-1B**).



DISCONNECTING HP  
HYDRAULIC HOSE  
FIG. 14-1B

5. Place the open end of the hose in a 3-gallon bucket.
6. To run the hydraulic pump, press the **UP** switch on the hand pendant (**FIG. 14-2**). Hold the **UP** switch and listen for sounds of cavitation in the pump. Release the **UP** switch when the pump starts to cavitate.

FIG. 14-1A

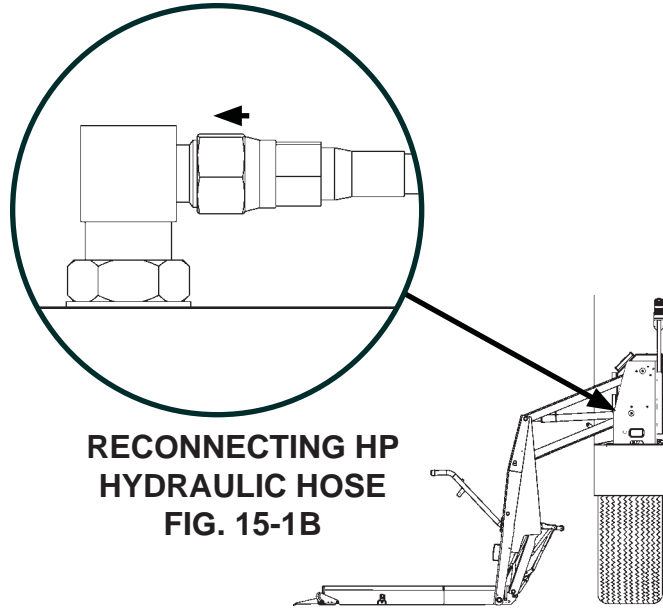


HAND PENDANT  
FIG. 14-2

**MAXON**<sup>®</sup>

11921 Slauson Ave. Santa Fe Springs, CA. 90670 (800) 227-4116 FAX (888) 771-7713

7. Reconnect the high pressure hose securely to elbow fitting on cylinder (FIGS. 15-1A and 15-1B).



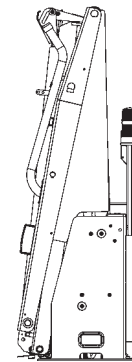
**RECONNECTING HP  
HYDRAULIC HOSE  
FIG. 15-1B**

8. Clean up dripped or spilled hydraulic fluid.

9. Repeat steps 4 through 8 for the cylinder next to the pump.

**FIG. 15-1A**

10. Raise and stow platform (FIG. 15-2).



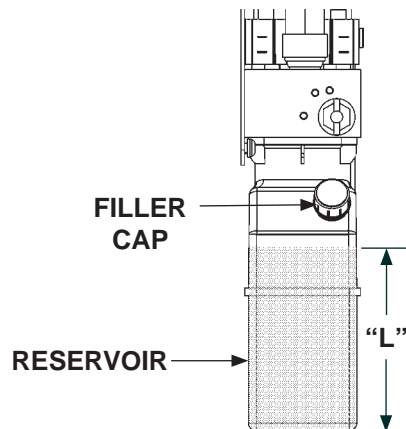
**STOWED PLATFORM  
FIG. 15-2**

11. Pull out filler cap (FIG. 15-3). Fill the reservoir with hydraulic fluid (TABLE 15-1) to level measured at beginning of procedure. Reinstall filler cap (FIG. 15-3).

RECOMMENDED HYDRAULIC FLUID	
BRAND	PART NUMBER
ROSEMEAD	THS FLUID 17111
EXXON	UNIVIS HVI 26

**TABLE 15-1**

**NOTE:** If the expected seasonal temperatures are below 20°F, use MIL-H-5606G hydraulic fluid.



**HYDRAULIC FLUID LEVEL  
(LH PUMP SHOWN)  
FIG. 15-3**

12. Do the **CHECKING HYDRAULIC FLUID LEVEL** procedure in this manual.

**MAXON**<sup>®</sup>

11921 Slauson Ave. Santa Fe Springs, CA. 90670 (800) 227-4116 FAX (888) 771-7713

THIS PAGE INTENTIONALLY LEFT BLANK



# ADJUSTMENTS

## MAT SWITCH ADJUSTMENT

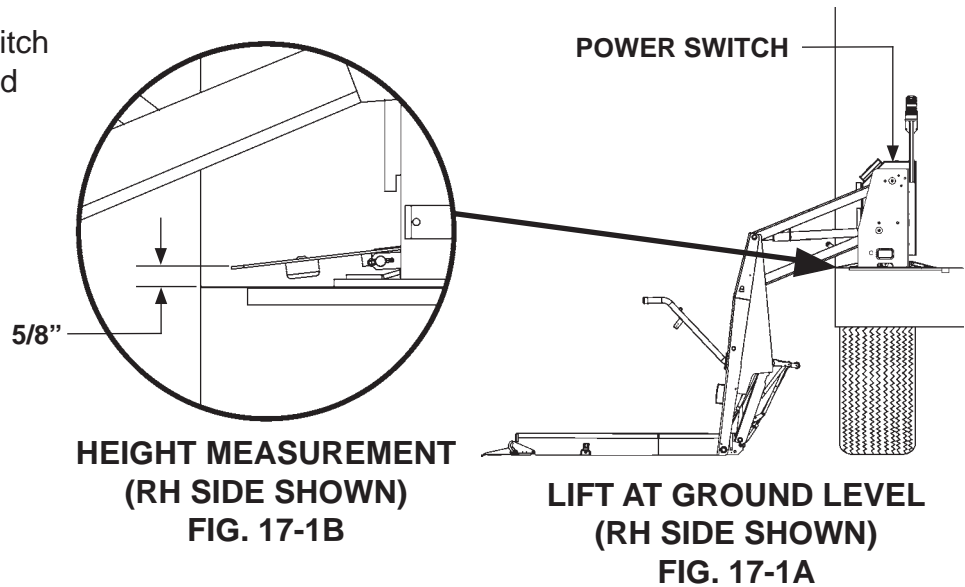
**NOTE:** Do this procedure if structure of the Lift is undamaged and:

- The controller reads “**MAT ERR**” when the threshold plate is unoccupied and platform is below floor level.
- The threshold warning beacons and threshold warning alarm are on when threshold is unoccupied and platform is below floor level.
- The threshold warning beacons and threshold warning alarm will not turn on when threshold is occupied and platform is below floor level.
- The MAT switch or threshold plate are removed & replaced.

The adjustment is done correctly if:

- The controller does not read “**MAT ERR**” when the threshold plate is unoccupied and platform is below floor level.
- The threshold warning beacons and threshold warning alarm turn on when threshold is occupied and platform is below floor level.

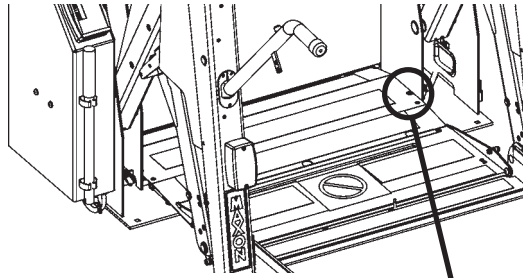
1. Make sure power switch (FIG. 17-1A) is turned on. Lower Lift to the ground (FIG. 17-1A).



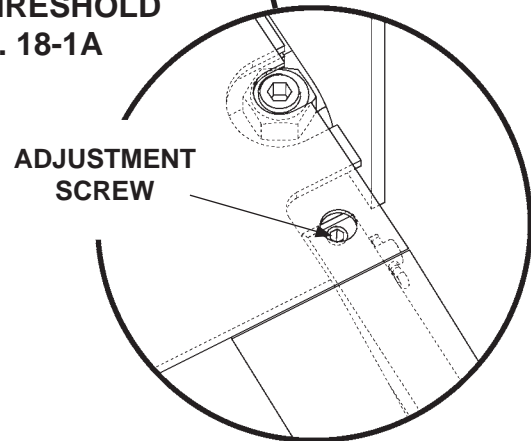
2. Measure the height of the threshold plate as shown in FIG. 17-1B. If the height is 5/8", go to step 4 (skip step 3). If the height is not 5/8", go to step 3.

## MAT SWITCH ADJUSTMENT - Continued

3. Set edge of the threshold plate to 5/8" height by turning the adjustment screw on the RH side of threshold plate (**FIG. 18-1B**). Turn adjustment screw counter-clockwise (**FIG. 18-2**) to raise threshold plate or clockwise to lower. Repeat for LH side of threshold plate. Alternately measure height (see step 2). Turn the adjustment screw on RH side and LH side until the entire edge of threshold plate is at 5/8" height.



LIFT THRESHOLD  
FIG. 18-1A



HEIGHT ADJUSTMENT SCREW  
(RH SIDE SHOWN)  
FIG. 18-1B



CCW - RAISE



CW - LOWER

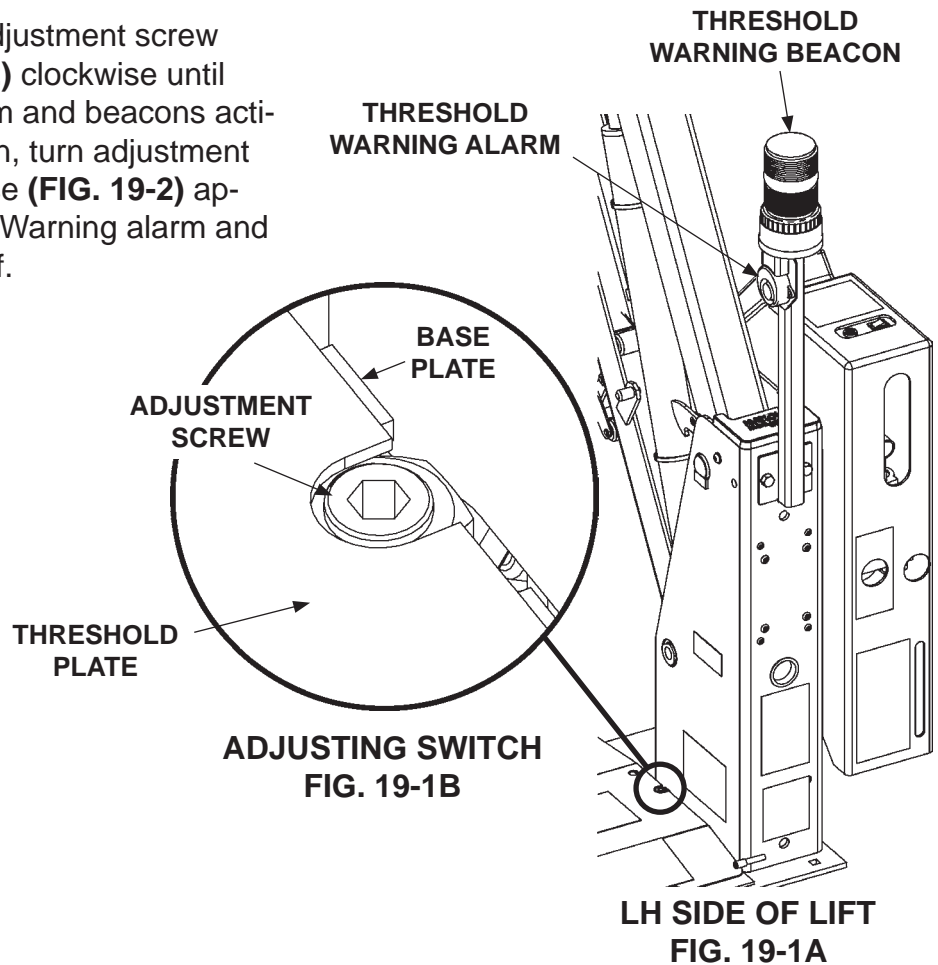
HEIGHT ADJUSTMENT SCREWS

FIG. 18-2

**MAXON**<sup>®</sup>

11921 Slauson Ave. Santa Fe Springs, CA. 90670 (800) 227-4116 FAX (888) 771-7713

- Turn the MAT switch adjustment screw (FIGS. 19-1B and 19-2) clockwise until threshold warning alarm and beacons activate (FIG. 19-1A). Then, turn adjustment screw counter-clockwise (FIG. 19-2) approximately 1-1/2 turn. Warning alarm and beacons should turn off.



CW - UNTIL ALARM & BEACONS TURN ON



1-1/2 TURN CCW - ALARM & BEACONS TURN OFF

**MAT SWITCH ADJUSTMENT SCREWS**  
FIG. 19-2

- Step on threshold plate. Warning alarm and beacons should activate. If the warning alarm and beacons do not activate, slightly turn adjustment screw (FIGS. 19-1B and 19-2) clockwise. Repeat until warning alarm and beacons activate when stepping on threshold plate and deactivate stepping off threshold plate.

## PLATFORM TILT ADJUSTMENT

**NOTE:** The platform tilt adjustment is important for operation of the outboard rollstop and for keeping platform level when it reaches the ground. Vehicle floor height, Lift installation angle, and stiffness of the vehicle suspension may change the angle of platform on the ground.

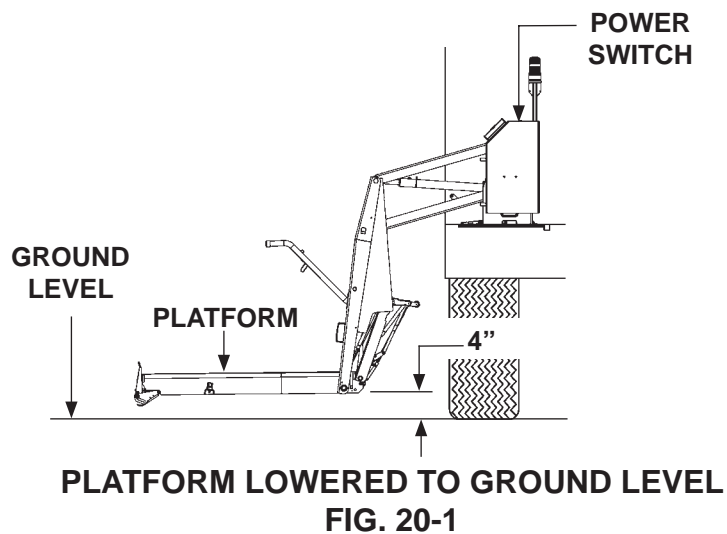
**NOTE:** Do this procedure if structure of the Lift is undamaged and:

- Outboard rollstop will not open completely when platform reaches the ground.
- Bottoms of the vertical arms touch the ground before outboard rollstop.
- Platform is sloped down excessively toward the outboard rollstop.

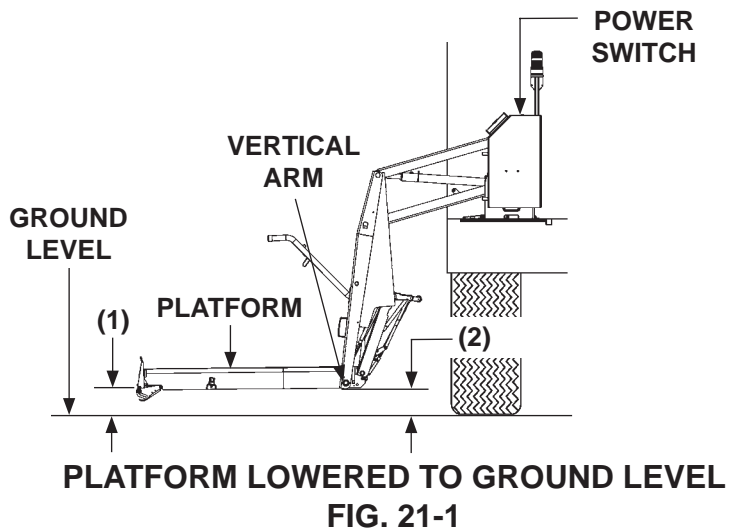
The adjustment is done correctly if:

- Outboard rollstop opens completely when platform reaches the ground.
- Outboard rollstop will touch the ground before bottoms of vertical arms.
- Platform will slope down a little toward the outboard rollstop.

1. Make sure power switch (FIG. 20-1) is turned on. Lower the platform and stop approximately 4" above ground.

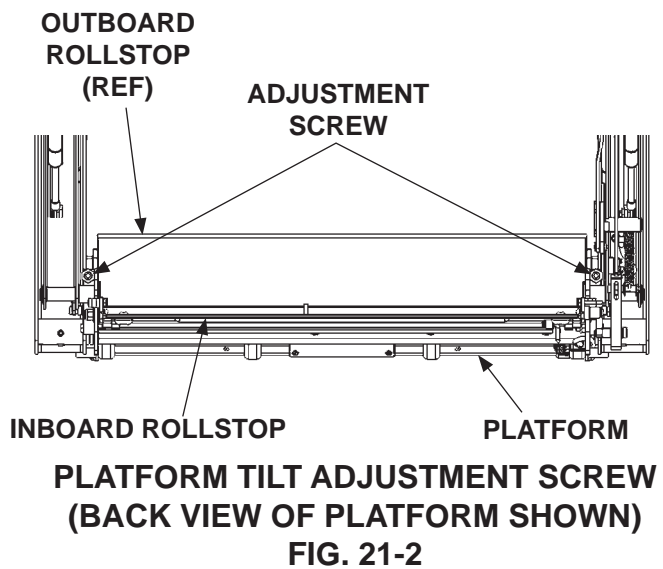


2. Measure distance from front of the platform (1) to the ground (FIG. 21-1). Next, measure the distance from the bottom of the vertical arm (2) to the ground (FIG. 21-2).



3. The measurement at the vertical arm (2) must be 1/2" - 1" more than the measurement at the front of platform (1). For example: If you measure 4" at the front (1), then you should measure from 4-1/2" to 5" at the vertical arm (2). If there is not a 1/2" - 1" difference, go to step 4 to obtain the correct measurement.

4. Manually lower the Inboard Rollstop for access to the adjustment screws (FIG. 21-2). To ensure proper leveling, turn platform tilt adjustment screws (FIG. 21-2) an equal amount on both sides of platform. Turn adjustment screws clockwise (FIG. 21-3) to tilt the platform up or counter-clockwise to tilt platform down.



CW - PLATFORM TILT UP



CCW - PLATFORM TILT DOWN

PLATFORM TILT ADJUSTMENT SCREWS

FIG. 21-3

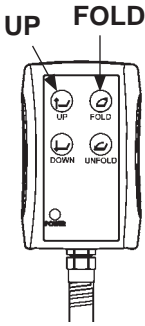
MAXON<sup>®</sup> 11921 Slauson Ave. Santa Fe Springs, CA. 90670 (800) 227-4116 FAX (888) 771-7713

**MAXON**<sup>®</sup> 11921 Slauson Ave. Santa Fe Springs, CA. 90670 (800) 227-4116 FAX (888) 771-7713

# CHANGING CONTROLLER TO SPANISH OR ENGLISH (IF REQUIRED)

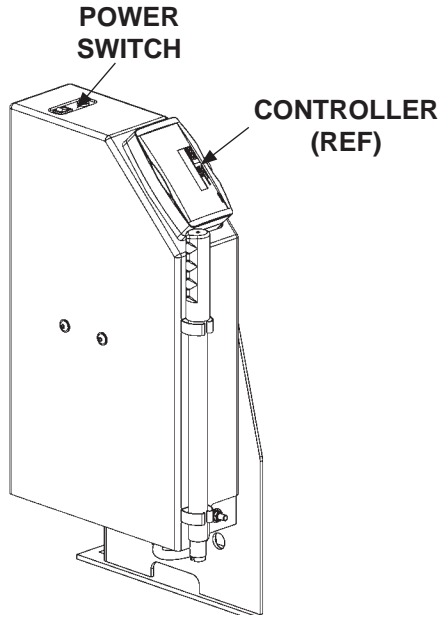
**NOTE:** The power switch on the Lift must be turned **OFF** before entering **SETUP**.

1. Turn power switch **OFF** (FIG. 22-2).



**HAND PENDANT:  
ENTERING SETUP  
FIG. 22-1**

2. Enter **SETUP** by holding both the **UP** and **FOLD** switches on the hand pendant (FIG. 22-1) and turning the power switch **ON** at the same time (FIG. 22-2). Controller will read **SETUP** (FIG. 22-3).

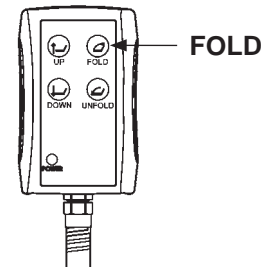


**TURNING POWER SWITCH ON/OFF  
(LH PUMP SHOWN)  
FIG. 22-2**

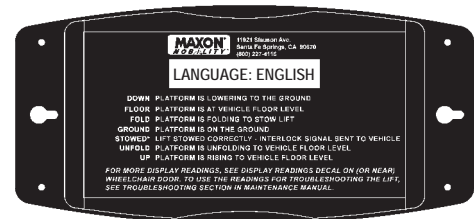


**CONTROLLER:  
ENTERING SETUP  
FIG. 22-3**

3. Push and release the **FOLD** switch (**FIG. 23-1**). Controller should be in the **LANGUAGE** mode (**FIG. 23-2**).



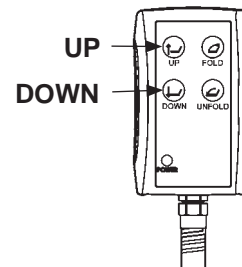
**HAND PENDANT:  
CHANGING SETUP MODE  
FIG. 23-1**



**CONTROLLER: LANGUAGE  
SETTING (ENGLISH OR SPANISH)  
FIG. 23-2**

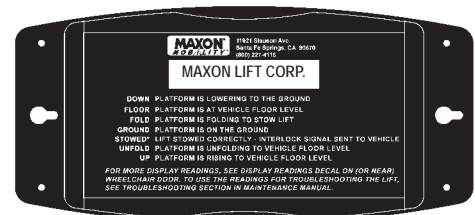
**NOTE:** After you exit **SETUP**, the controller readings will be displayed in the language you selected.

4. Push the **UP** switch or **DOWN** switch to change from **ENGLISH** to **SPANISH** (or from **SPANISH** to **ENGLISH**) (**FIGS. 23-2 and 23-3**).



**HAND PENDANT:  
CHANGING THE SETTING  
FIG. 23-3**

5. Push and release the **FOLD** switch (**FIG. 23-1**) three times to exit **SETUP** (**FIG. 23-4**).



**CONTROLLER:  
EXITING SETUP  
FIG. 23-4**

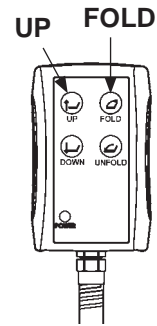
## OUTBOARD ROLLSTOP TIME ADJUSTMENT (IF REQUIRED)

**NOTE:** Call **MAXON Technical Service** before doing this adjustment.

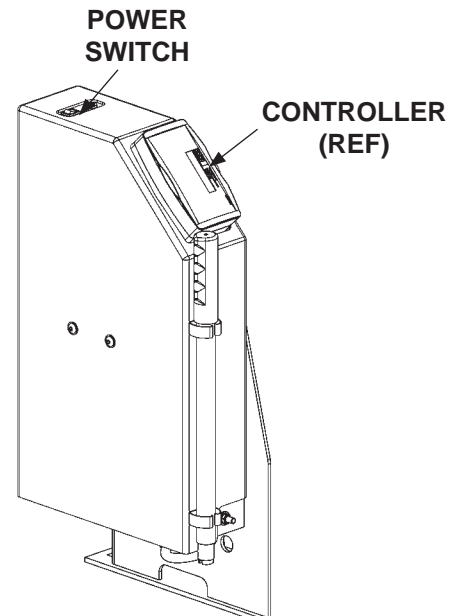
**NOTE:** The power switch on the Lift must be turned **OFF** before entering **SETUP**.

1. Turn power switch **OFF** (FIG. 24-2).

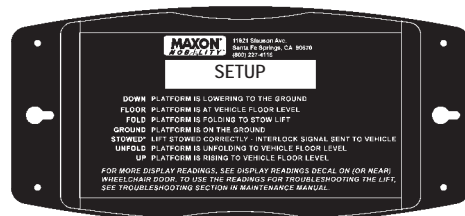
2. Enter **SETUP** by holding both the **UP** and **FOLD** switches on the hand pendant (FIG. 24-1) and turning the power switch **ON** at the same time (FIG. 24-2). Controller will read **SETUP** (FIG. 24-3).



**HAND PENDANT:  
ENTERING SETUP  
FIG. 24-1**



**TURNING POWER SWITCH ON/OFF  
(LH PUMP SHOWN)  
FIG. 24-2**



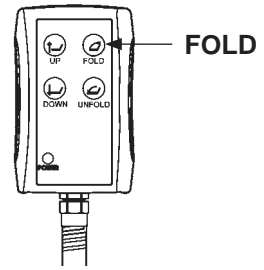
**CONTROLLER:  
ENTERING SETUP  
FIG. 24-3**

**MAXON**

11921 Slauson Ave. Santa Fe Springs, CA. 90670 (800) 227-4116 FAX (888) 771-7713



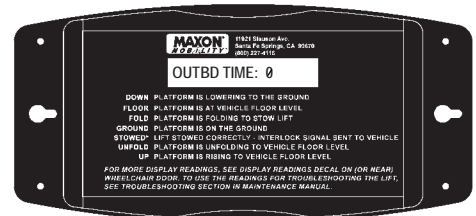
3. Push and release the **FOLD** switch (**FIG. 25-1**) to access the **OUTBD TIME** setting (**FIG. 25-2**).



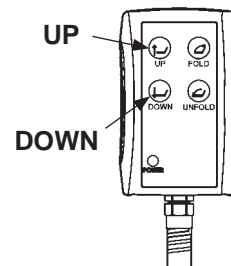
**HAND PENDANT:  
CHANGING SETUP MODE  
FIG. 25-1**

**NOTE:** A larger number for the **OUTBD TIME** setting allows more time for the controller to sense the outboard rollstop is closed. A smaller number decreases the time. Call **MAXON Technical Service** to advise you about the best setting for your vehicle.

4. Push the **UP** switch (**FIG. 25-3**) to increase the **OUTBD TIME** from -7 to 10. Push the **DOWN** switch (**FIG. 25-3**) to decrease the number from 10 to -7.

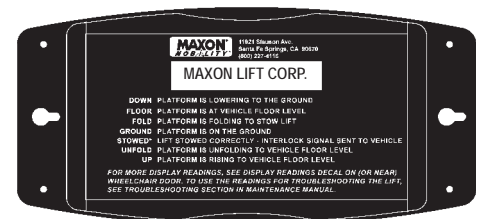


**CONTROLLER: SETTING  
OUTBOARD RAMP TIME  
(RANGE IS -7 TO 10)  
FIG. 25-2**



**HAND PENDANT:  
CHANGING THE SETTING  
FIG. 25-3**

5. Push and release the **FOLD** switch (**FIG. 25-1**) two times to exit **SETUP** (**FIG. 25-4**).



**CONTROLLER:  
EXITING SETUP  
FIG. 25-4**

**MAXON**<sup>®</sup> 11921 Slauson Ave. Santa Fe Springs, CA. 90670 (800) 227-4116 FAX (888) 771-7713

## STOW SWITCH ADJUSTMENT

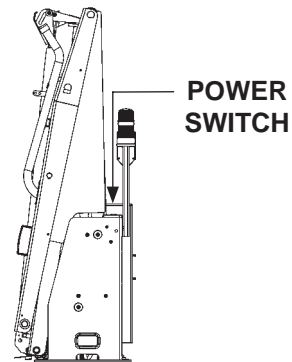
**NOTE:** Do this procedure if structure of the Lift is undamaged and:

- Controller reads **FOLD** or **UNFOLD** when platform is stowed or has settled on the latches.
- Vehicle will not move because interlock conditions are not being met.
- The STOW switch is removed & replaced.

The adjustment is done correctly if:

- Platform stows tight.
- Controller reads **STOWED\*** when platform is stowed or has settled on the latches.
- Vehicle interlock conditions are met and the vehicle will move.

1. Make sure power switch (**FIG. 26-1**) is turned on. Stow the Lift (**FIG. 26-1**).



**STOWED LIFT  
(LIFT WITH LH PUMP)  
FIG. 26-1**

**MAXON**<sup>®</sup>

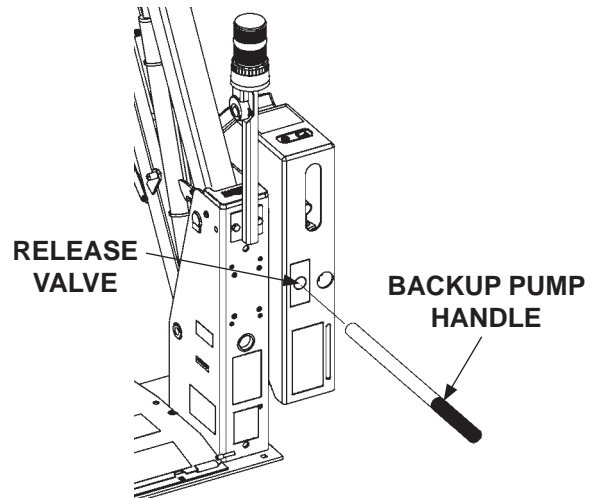
11921 Slauson Ave. Santa Fe Springs, CA. 90670 (800) 227-4116 FAX (888) 771-7713

## ⚠ CAUTION

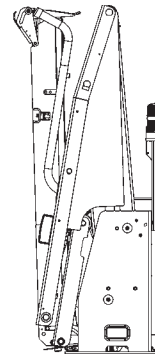
To prevent possible injury, stay clear of the Lift when the controller repressurizes the hydraulic system. The system will repressurize every 5 minutes after the Lift is turned ON. If necessary, turn the Lift OFF and then ON again to continue the adjustment.

**NOTE:** When the power switch is turned on, you have 5 minutes to do the adjustment before the controller repressurizes hydraulic system and stows the Lift.

2. To open the release valve (**FIG. 27-1**), turn the backup pump handle counter-clockwise.

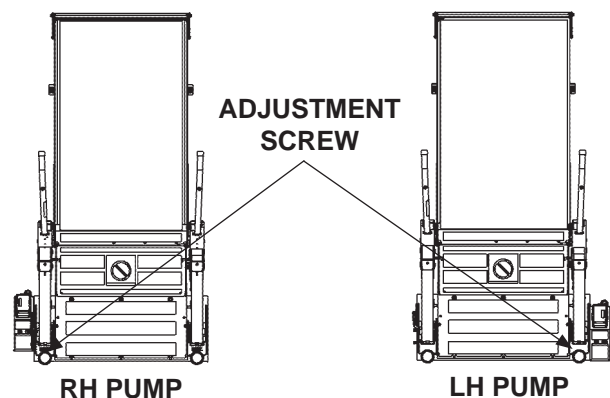


**USING BACKUP PUMP TO UNFOLD  
(LIFT WITH LH PUMP)  
FIG. 27-1**



**LIFT RESTING ON  
LATCHES  
FIG. 27-2**

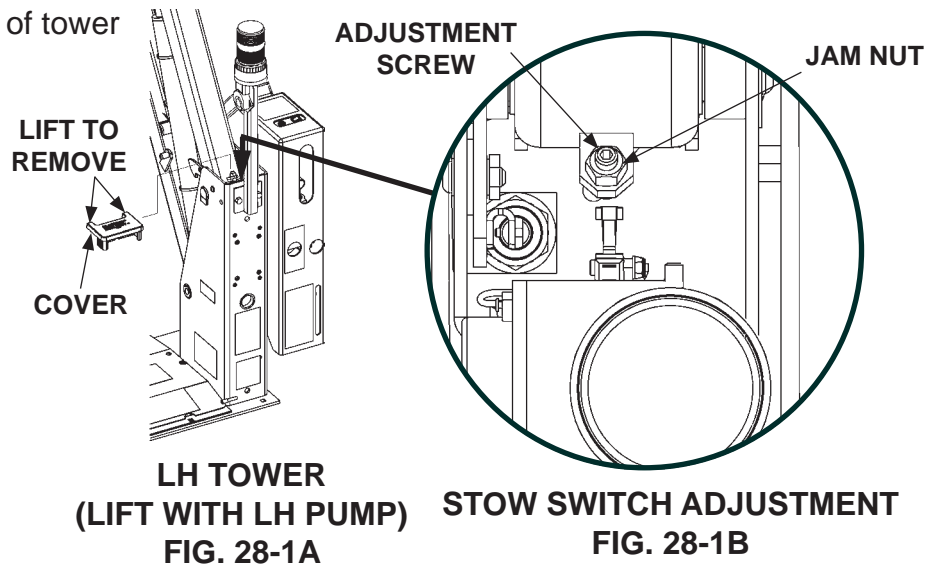
**NOTE:** The STOW switch adjustment screw is always on the same side of the Lift as the pump cover (**FIG. 27-3**).



**RH PUMP                      LH PUMP  
LOCATION OF ADJUSTMENT SCREW  
FIG. 27-3**

## STOW SWITCH ADJUSTMENT - Continued

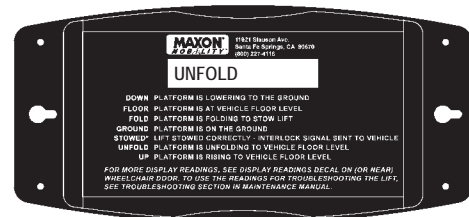
3. Remove cover from top of tower (FIG. 28-1A).



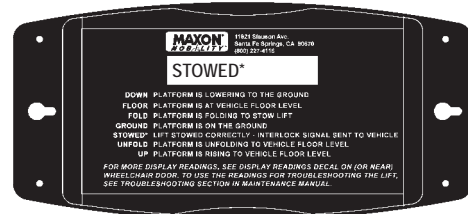
4. Loosen jam nut (FIG. 28-1B) on the STOW switch adjustment screw. Next, turn adjustment screw counter-clockwise (CCW) (FIG. 28-2) until controller reads **UNFOLD**. Turn adjustment screw clockwise (CW) (FIG. 28-3) until controller reads **STOWED\***. Then, turn the adjustment screw 1/2 turn CW (FIG. 28-4).



ADJUST SO CONTROLLER READS "UNFOLD"  
FIG. 28-2



ADJUST SO CONTROLLER READS "STOWED\*" "  
FIG. 28-3



5. Use the hand pendant to stow Lift (FIG. 25-3). Make sure the platform is stowed tightly. Repeat adjustment steps 1 through 4 if necessary.
6. When adjustment is complete, tighten jam nut on the adjustment screw (FIG. 28-1B).



+ 1/2-TURN CW  
ADJUSTMENT SCREW  
FIG. 28-4

7. Reinstall cover on tower (FIG. 28-1A).

PATENTS PENDING

## FLOOR POSITION ADJUSTMENT

**NOTE:** Do this procedure if structure of the Lift is undamaged and:

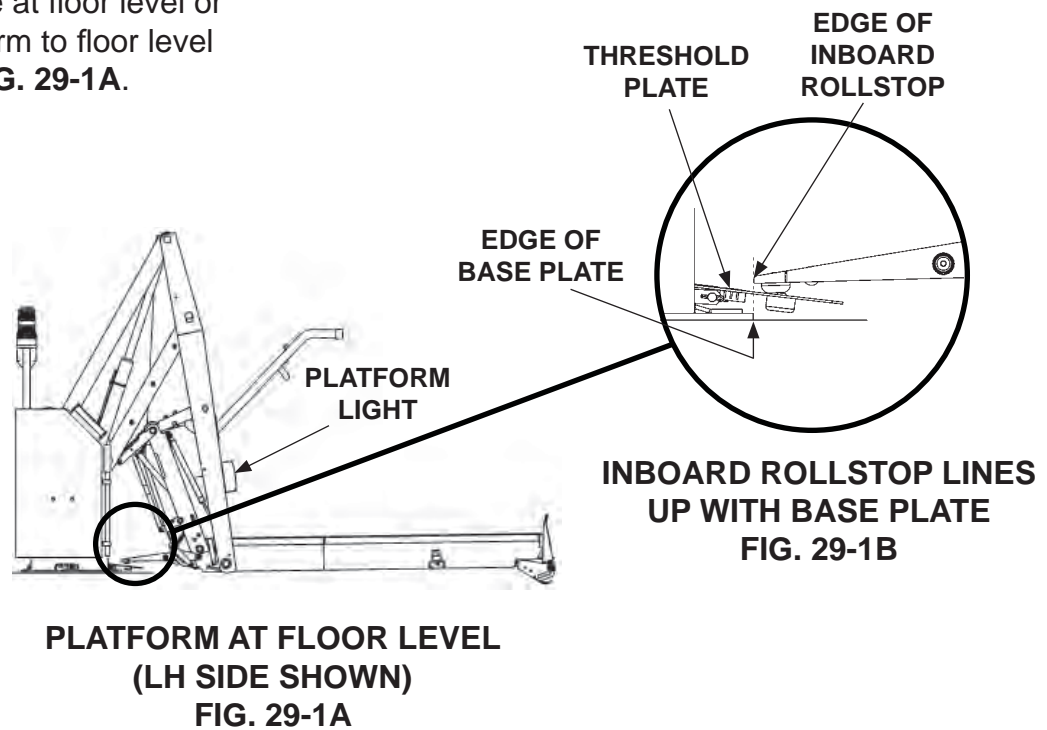
- Inboard rollstop does not land correctly on the threshold plate when unfolding platform or raising platform to floor level.
- The angle position sensor (ILAPS) is replaced.
- The controller is replaced.

The adjustment is done correctly if:

- Inboard rollstop rests on threshold plate and lines up approximately with edge of base plate.

If the Lift requires frequent **FLOOR POSITION ADJUSTMENT**, replace the angle position sensor (ILAPS).

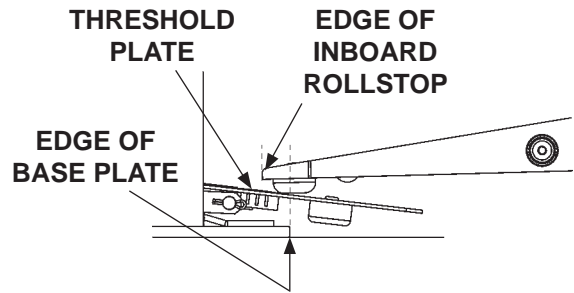
1. Unfold the platform until the lights illuminate at floor level or raise the platform to floor level as shown in **FIG. 29-1A**.



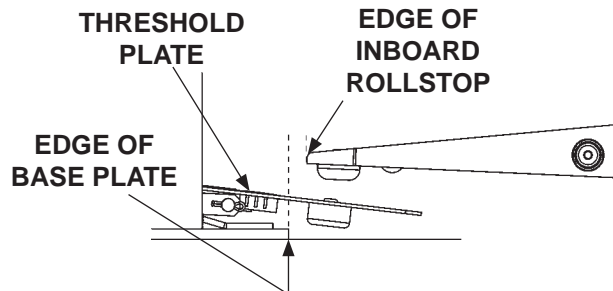
2. Inspect the threshold plate. The edge of the inboard rollstop should line up with the edge of the base plate as shown in **FIG. 29-1B**.

## FLOOR POSITION ADJUSTMENT - Continued

3. If the inboard rollstop does not line up correctly with the edge of the base plate (FIGS. 30-1 and 30-2), go to step 4.



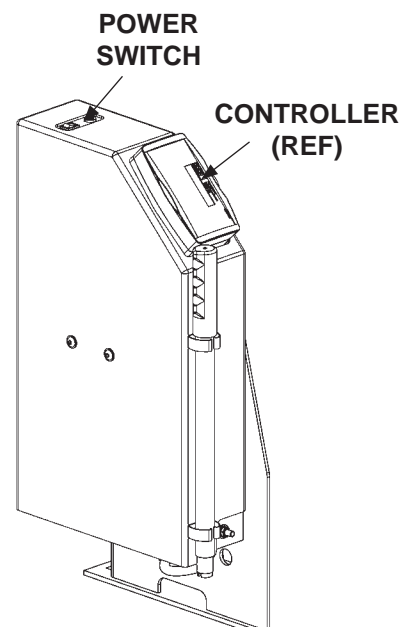
INBOARD ROLLSTOP OVERLAPS  
EDGE OF BASE PLATE  
FIG. 30-1



INBOARD ROLLSTOP WITH GAP  
BETWEEN BASE PLATE  
FIG. 30-2

**NOTE:** The power switch on the Lift must be turned **OFF** before entering **SETUP**.

4. Turn power switch **OFF** (FIG. 30-3).

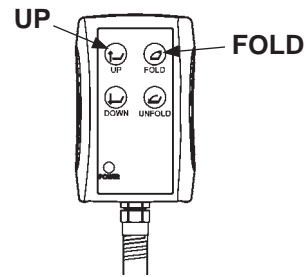


TURNING POWER SWITCH ON/OFF  
(LH PUMP SHOWN)  
FIG. 30-3

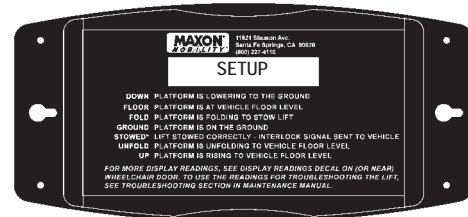
**MAXON**<sup>®</sup>

11921 Slauson Ave. Santa Fe Springs, CA. 90670 (800) 227-4116 FAX (888) 771-7713

5. Enter **SETUP** by holding both the **UP** and **FOLD** switches on the hand pendant (**FIG. 31-1**) and turning the power switch **ON** at the same time (**FIG. 30-3**). Controller will read **SETUP** (**FIG. 31-2**).

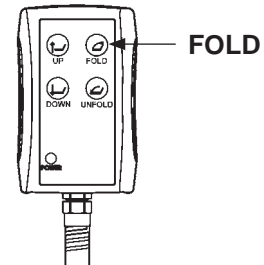


**HAND PENDANT:  
ENTERING SETUP  
FIG. 31-1**

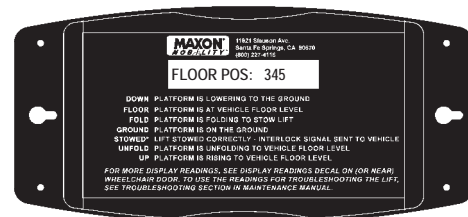


**CONTROLLER:  
ENTERING SETUP  
FIG. 31-2**

6. Push and release the **FOLD** switch (**FIG. 31-3**) two times to access the **FLOOR POS** setting (**FIG. 31-4**).



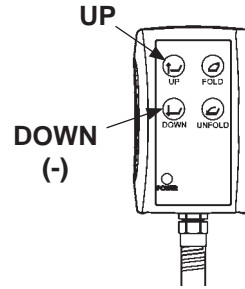
**HAND PENDANT:  
CHANGING SETUP MODE  
FIG. 31-3**



**CONTROLLER:  
SETTING FLOOR POSITION  
(EXAMPLE READING SHOWN)  
FIG. 31-4**

## FLOOR POSITION ADJUSTMENT - Continued

7. To decrease overlap, push the **UP** switch from 1 to 5 times (**FIG. 32-1**). The **FLOOR POS** number displayed on the controller (**FIG. 32-1**) will increase by 1 each time you push the **UP** button. To close the gap, push the **DOWN** switch from 1 to 5 times (**FIG. 32-1**). The **FLOOR POS** number displayed on the controller (**FIG. 32-1**) will decrease by 1 each time you push the **DOWN** button.

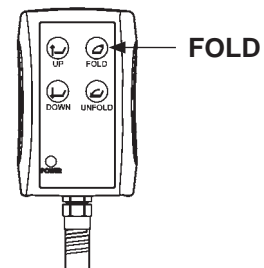


**HAND PENDANT:  
CHANGING THE SETTING  
FIG. 32-1**

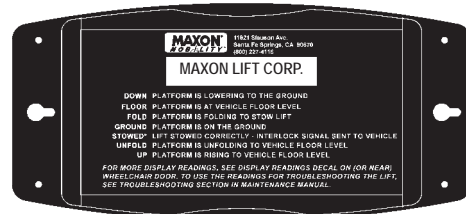


**CONTROLLER:  
SETTING FLOOR POSITION  
(EXAMPLE READING SHOWN)  
FIG. 32-2**

8. Push and release the **FOLD** switch (**FIG. 32-3**) to exit **SETUP** (**FIG. 32-4**).



**HAND PENDANT:  
CHANGING SETUP MODE  
FIG. 32-3**



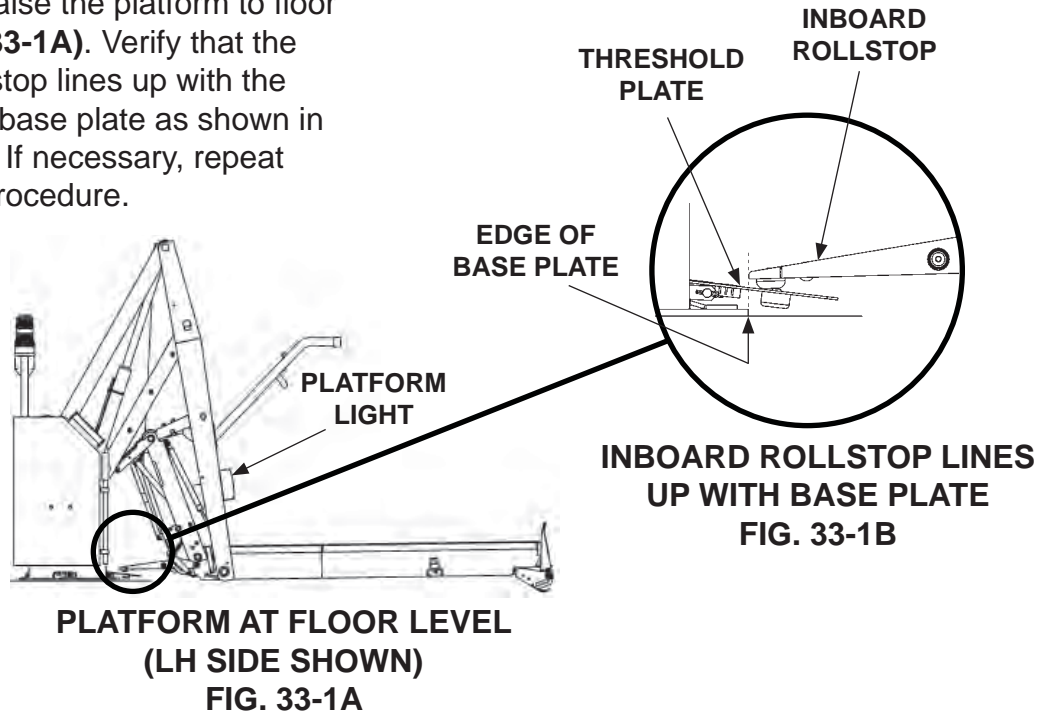
**CONTROLLER:  
EXITING SETUP  
FIG. 32-4**

**MAXON**<sup>®</sup>

11921 Slauson Ave. Santa Fe Springs, CA. 90670 (800) 227-4116 FAX (888) 771-7713



9. Lower the platform until the inboard rollstop is in the up and locked position. Next, raise the platform to floor level (**FIG. 33-1A**). Verify that the inboard rollstop lines up with the edge of the base plate as shown in **FIG. 33-1B**. If necessary, repeat this entire procedure.



## INBOARD SWITCH ADJUSTMENT

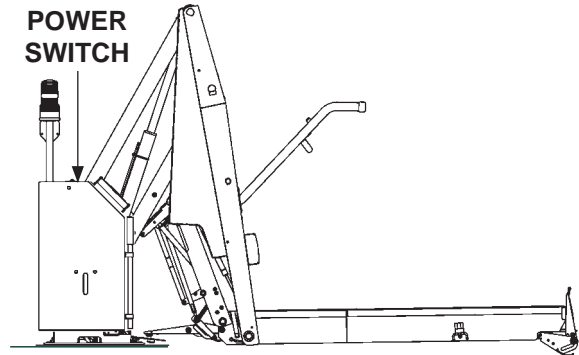
**NOTE:** Do this procedure if structure of the Lift is undamaged and:

- The Controller reads “**IBRS SW**” when Inboard Rollstop is locked in the up position.
- Inboard Switch is removed & replaced.

The adjustment is done correctly if:

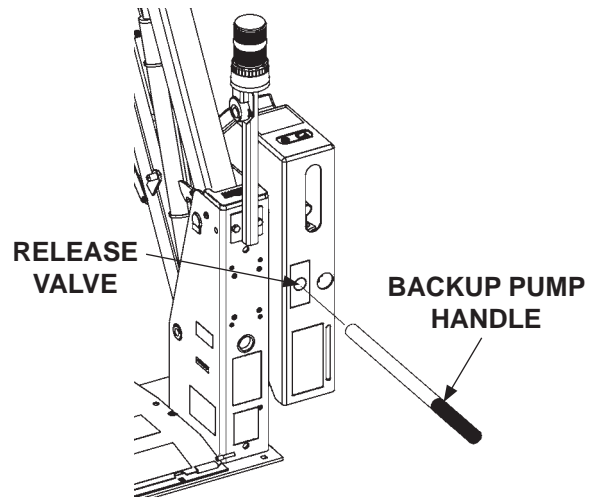
- The Controller does not read “**IBRS SW**” when the Inboard Rollstop is locked in the up position.

1. Position the platform at floor level (**FIG. 34-1**).



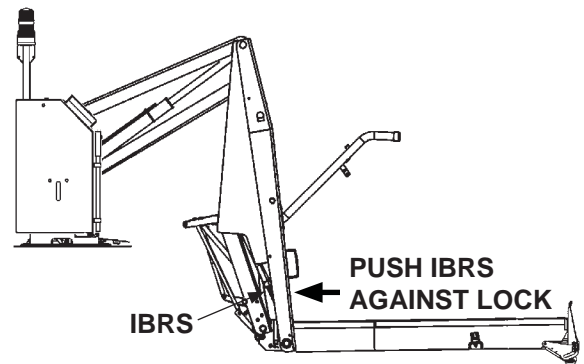
**PLATFORM AT FLOOR LEVEL  
(LH SIDE SHOWN)  
FIG. 34-1**

2. Turn **OFF** power switch on pump cover (**FIG. 34-1**).
3. Using the manual backup pump (**FIG. 34-2**), lower the platform until inboard rollstop (IBRS) is locked in the up position (**FIG. 35-1**). Refer to **Operation Manual** for instructions to operate the manual pump.



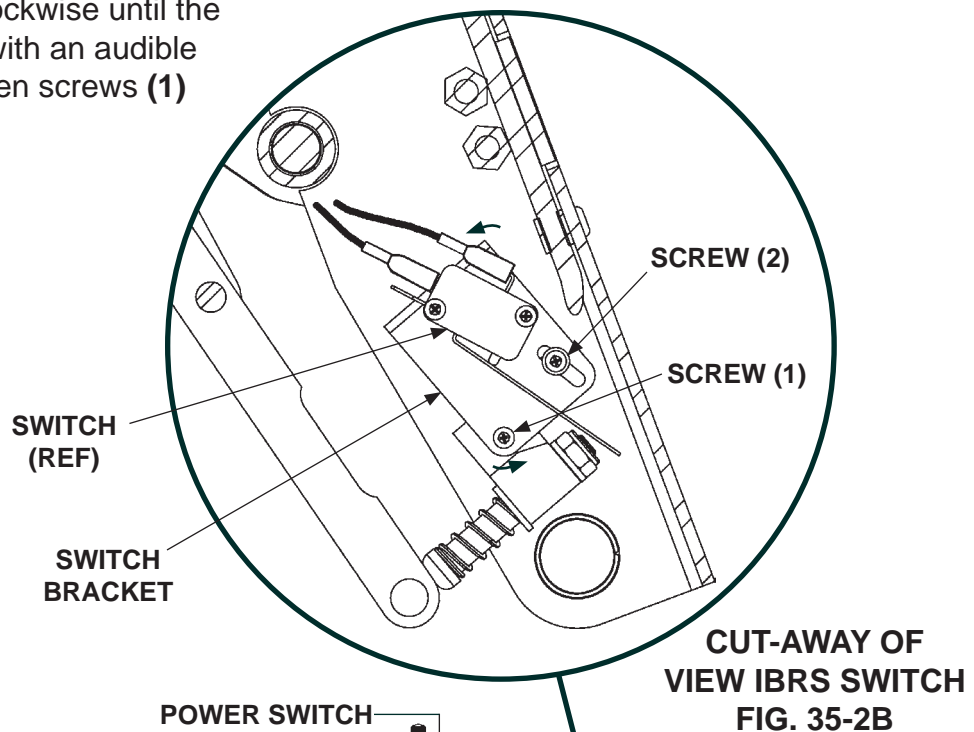
**USING BACKUP PUMP TO UNFOLD  
(LIFT WITH LH PUMP)  
FIG. 34-2**

4. Push the inboard rollstop back against the lock as if a wheelchair is pushing on the rollstop (FIG. 35-1).



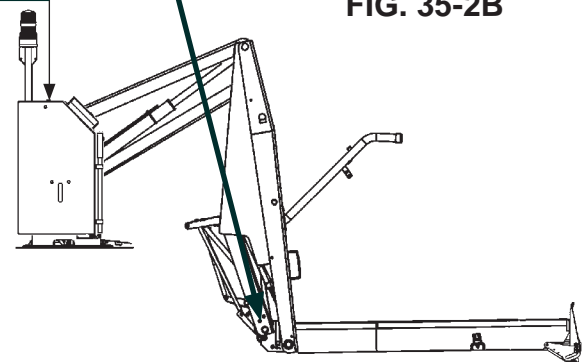
PLATFORM BELOW FLOOR LEVEL,  
WITH IBRS UP (LH SIDE SHOWN)  
FIG. 35-1

5. On the inboard rollstop switch, loosen screws (1) and (2) one-half turn (FIG. 35-2B). Next, rotate switch bracket clockwise until the switch activates with an audible “click”. Then tighten screws (1) and (2) securely.



CUT-AWAY OF  
VIEW IBRS SWITCH  
FIG. 35-2B

6. Turn **ON** power switch on pump cover (FIG. 35-2A). Then raise (**UP**) the platform to floor level (FIG. 34-1). Verify that “**INBD SW**” is not displayed on the lift controller. If necessary repeat this procedure.

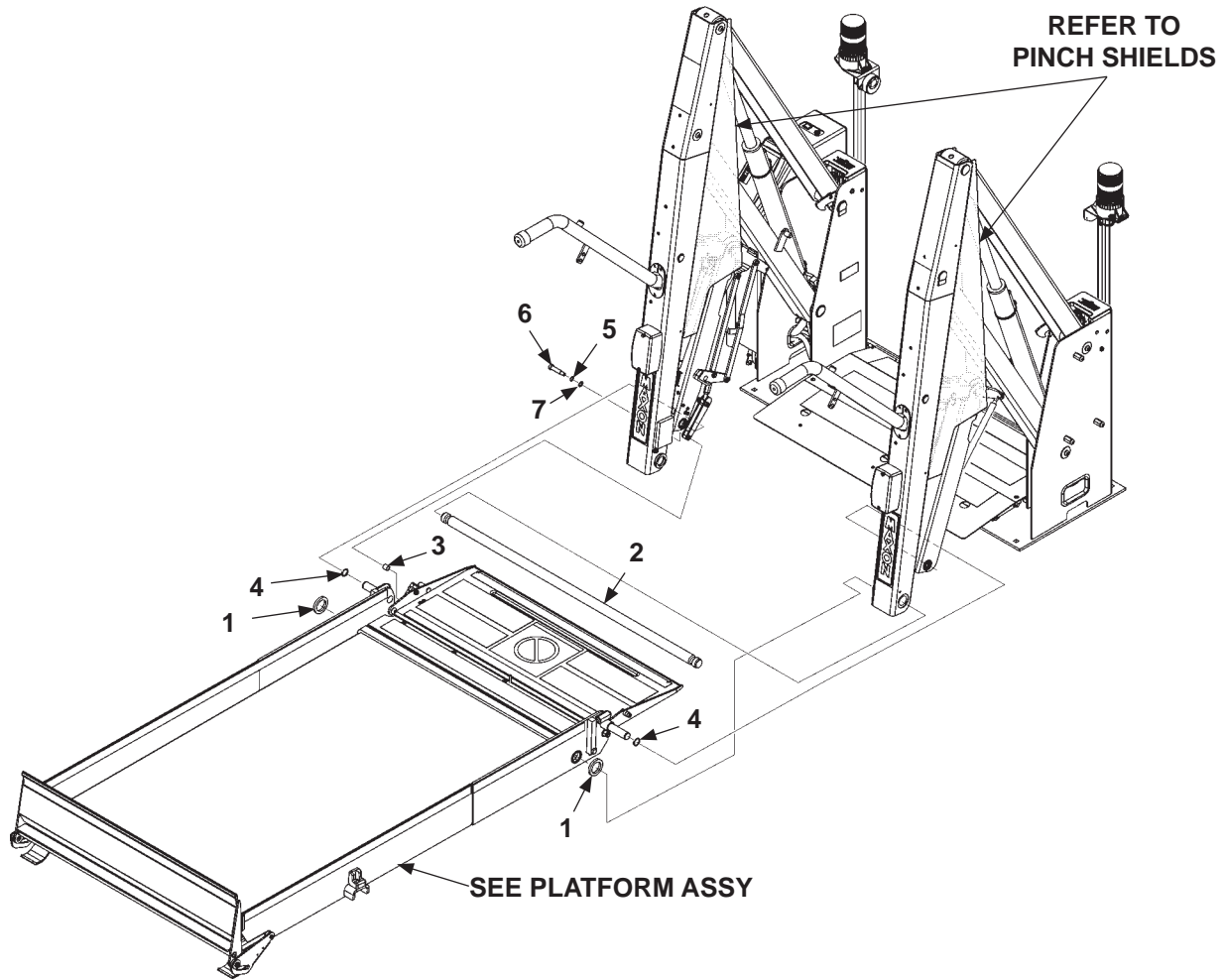


PLATFORM BELOW FLOOR LEVEL,  
WITH IBRS UP (LH SIDE SHOWN)  
FIG. 35-2A

# PARTS BREAKDOWN MAIN ASSEMBLY-1

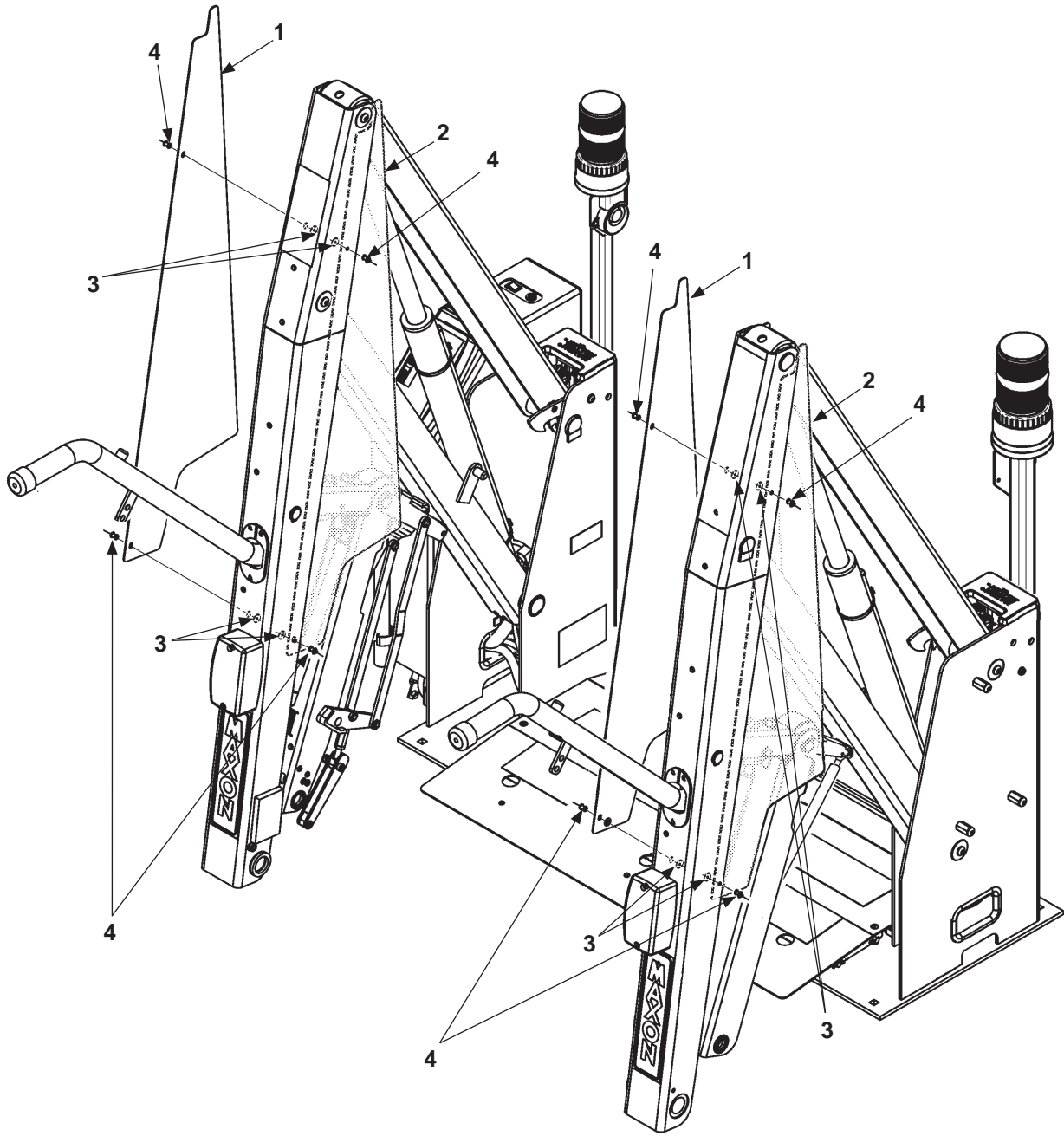
**MAXON**<sup>®</sup>

11921 Slauson Ave. Santa Fe Springs, CA. 90670 (800) 227-4116 FAX (888) 771-7713



ITEM	QTY.	PART NO.	DESCRIPTION
1	2	261321	SPACER
2	1	265038-03	SHAFT, 36" LG. (FOR 30" WIDE PLATFORM)
		265038-04	SHAFT, 39" LG. (FOR 33" WIDE PLATFORM)
		265038-05	SHAFT, 40" LG. (FOR 34" WIDE PLATFORM)
3	1	266545-08	BEARING, 3/8" ID X 1/2" LG.
4	2	905005	RETAINING RING, 3/4"
5	1	267592-02	SPRING (WASHER), WAVE, 3/8" ID
6	1	900723-07	SHOULDER SCREW, 3/8" X 1-1/4" LG.
7	1	903402-08	FLAT WASHER, 3/8"

## PINCH SHIELDS



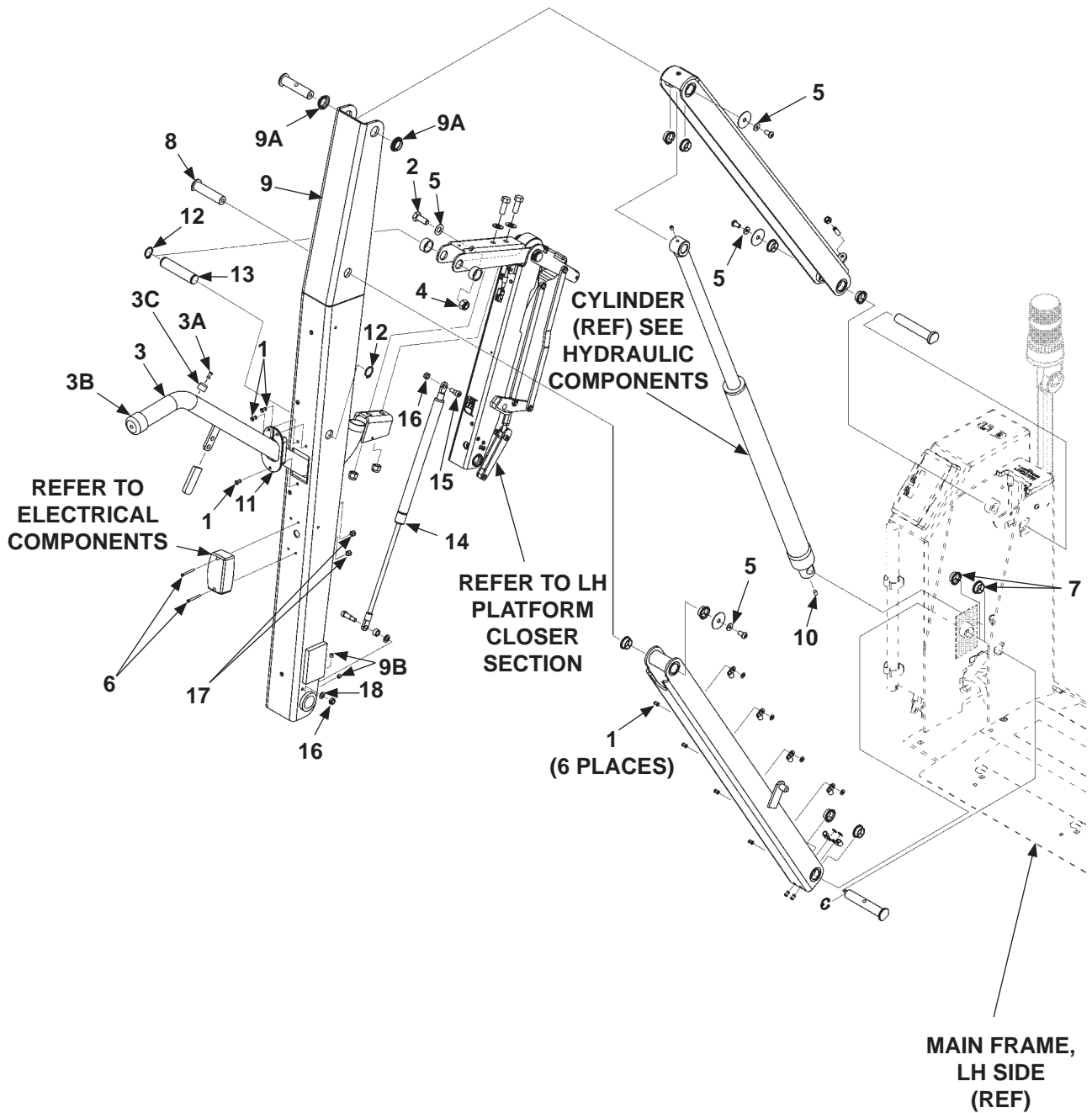
ITEM	QTY.	PART NO.	DESCRIPTION
1	2	267968-01	PINCH SHIELD, PLASTIC (LH SIDE OF VERT.-ARM)
2	2	267968-02	PINCH SHIELD, PLASTIC (RH SIDE OF VERT.-ARM)
3	8	902000-5	FLAT WASHER, #10
4	8	904002-2	RIVET, 3/16" DIA. X 9/16" LG.

**MAXON**<sup>®</sup> 11921 Slauson Ave. Santa Fe Springs, CA. 90670 (800) 227-4116 FAX (888) 771-7713

# MAIN ASSEMBLY-2

**MAXON**

11921 Slauson Ave. Santa Fe Springs, CA. 90670 (800) 227-4116 FAX (888) 771-7713

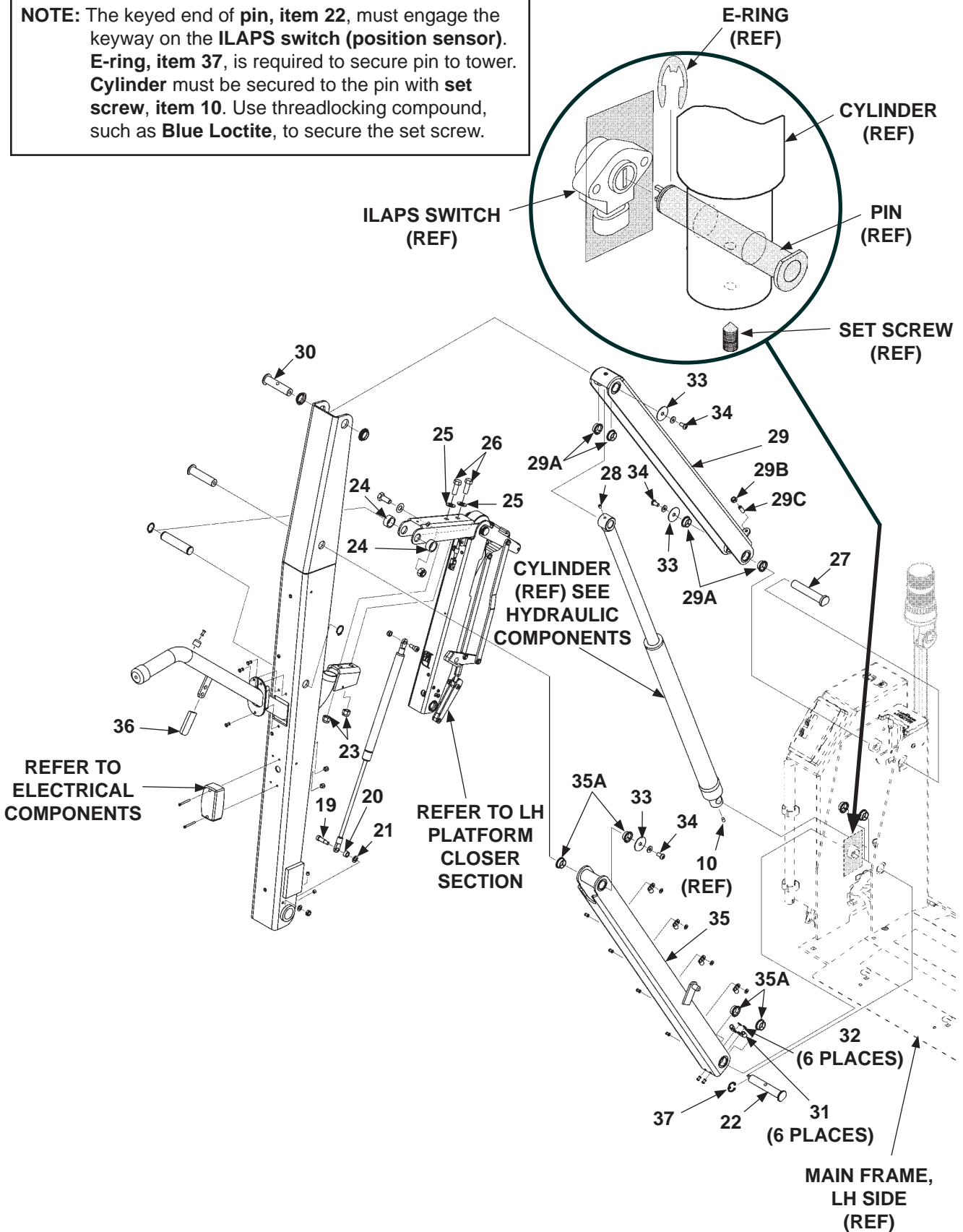


ITEM	QTY.	PART NO.	DESCRIPTION
1	9	904002-2	RIVET, 3/16" DIA X 0.55" LG.
2	2	900009-3	CAP SCREW, 5/16"-18 X 3/4" LG, GRADE 8
3	1	266755-01	HANDRAIL ASSEMBLY, LH
3A	1	904004-3	RIVET, 5/32" DIA X 0.550" LG.
3B	1	905019	CAP
3C	1	905314-01	BUMPER
4	1	901001	LOCK NUT, 5/16"-18
5	4	902000-7	FLAT WASHER, 5/16"
6	2	900023-11	PAN HEAD SCREW, #8-32 X 2" LG.
7	2	265072	SELF LUBE BEARING
8	1	266642-01	PIN, LOWER ARM-VERTICAL ARM
9	1	267115-01	VERTICAL ARM ASSEMBLY, LH (COMES WITH BEARINGS, SET SCREWS, & CABLE TIE HOLDERS)
9A	2	265017	SELF LUBE BEARING
9B	2	903004-1	SET SCREW, 3/8"-16 X 3/8" LG.
10	1	903002-1	SET SCREW 1/4"-20 X 1/2" LG.
11	1	266961-01	COVER, VERTICAL ARM - HANDRAIL
12	2	905005	RETAINING RING, 3/4"
13	1	266644-01	PIN
14	1	266960-02	GAS SPRING, 130 LBS. PRESSURE
15	1	900062-1	SHOULDER SCREW, 5/16" DIA. X 1/4" LG.
16	2	901016-2	LOCK NUT, 1/4", THIN HEAD
17	2	901006	LOCK NUT, #8-32
18	1	902000-2	FLAT WASHER, 1/4"

**MAXON**<sup>®</sup> 11921 Slauson Ave. Santa Fe Springs, CA. 90670 (800) 227-4116 FAX (888) 771-7713

## MAIN ASSEMBLY-2 - Continued

**NOTE:** The keyed end of pin, item 22, must engage the keyway on the ILAPS switch (position sensor). E-ring, item 37, is required to secure pin to tower. Cylinder must be secured to the pin with set screw, item 10. Use threadlocking compound, such as Blue Loctite, to secure the set screw.



**MAXON**

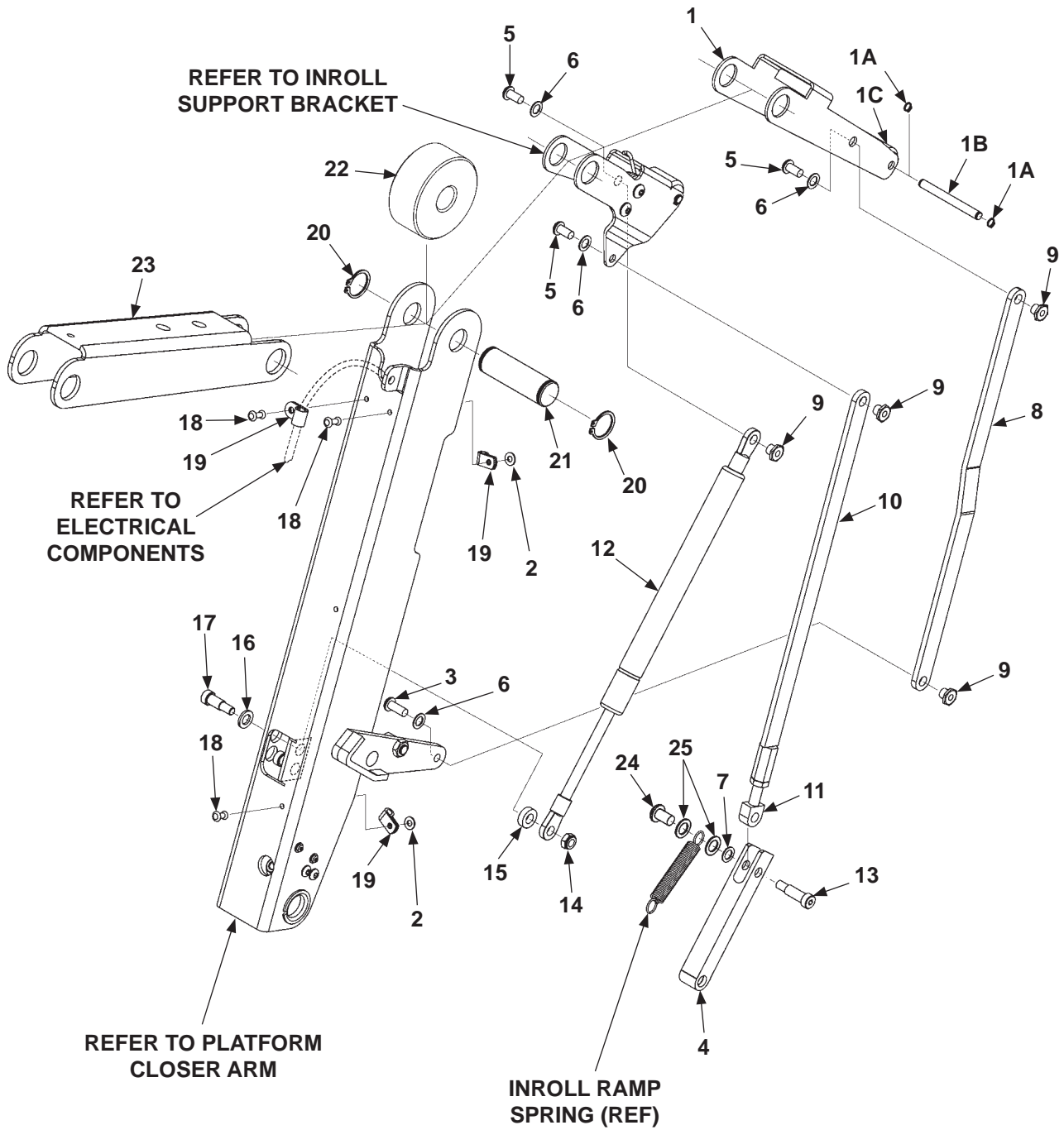
11921 Slauson Ave. Santa Fe Springs, CA. 90670 (800) 227-4116 FAX (888) 771-7713



ITEM	QTY.	PART NO.	DESCRIPTION
19	1	900062-4	SHOULDER SCREW, 5/16" DIA. X 5/8" LG.
20	1	905009-01	SPACER, NYLON, 1/4"
21	1	902000-8	FLAT WASHER, 5/16"
22	1	267758-01	PIN (KEYED FOR ILAPS SWITCH)
23	2	901002	LOCK NUT, 3/8"-16
24	2	266596-01	SPACER
25	2	902013-11	FLAT WASHER, 3/8"
26	2	900014-4	CAP SCREW, 3/8"-16 X 1" LG, GRADE 8
27	1	266642-02	PIN, UPPER ARM-TOWER
28	1	903002-7	SET SCREW, 1/4"-20 X 3/8" LG.
29	1	266609-01	UPPER ARM ASSEMBLY (BEARINGS INCLUDED)
29A	4	265072	SELF LUBE BEARING
29B	1	901005	HEX NUT, 5/16"-18, GRADE 8
29C	1	903006-1	SET SCREW, 5/16"-18 X 1" LG.
30	1	266641-01	PIN, UPPER ARM
31	6	905056	CLAMP
32	6	902000-5	FLAT WASHER, #10
33	3	902004-02	FENDER FLAT WASHER, 11/32"
34	3	900001-11	BUTTON SCREW, 5/16"-18 X 5/8" LG.
35	1	266611-01	LOWER ARM ASSEMBLY LH (BEARINGS INCLUDED)
35A	4	265072	SELF LUBE BEARING
36	1	267623-01	VINYL CAP
37	1	905138-09	E-RING, EXT. (5/8" SHAFT DIA.) (FOR ILAPS SWITCH PIN)

**MAXON**<sup>®</sup> 11921 Slauson Ave. Santa Fe Springs, CA. 90670 (800) 227-4116 FAX (888) 771-7713

# LH PLATFORM CLOSER



**MAXON**

11921 Slauson Ave. Santa Fe Springs, CA. 90670 (800) 227-4116 FAX (888) 771-7713

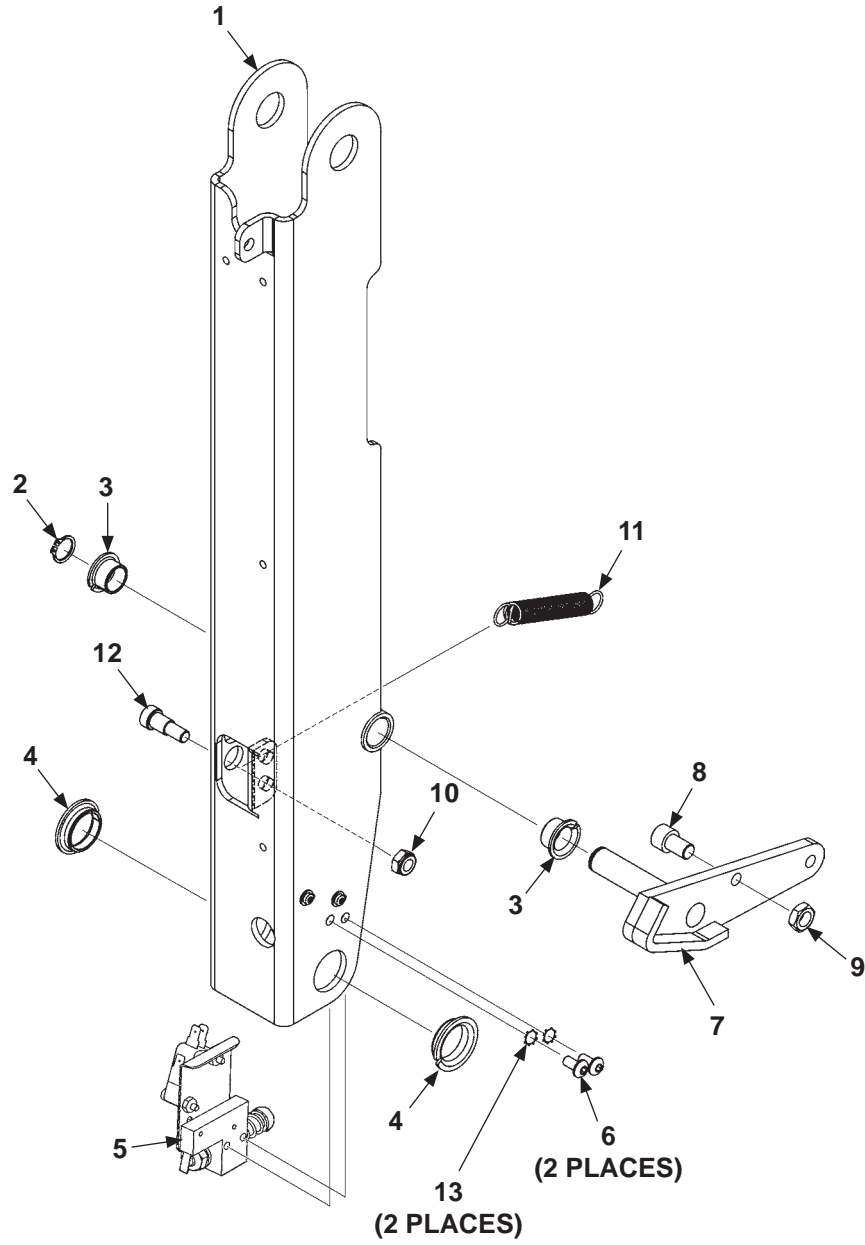
ITEM	QTY.	PART NO.	DESCRIPTION
REF	1	267500-02	INROLL RAMP ARM MAIN ASSY (LH PLATFORM CLOSER)
1	1	267552-01	INROLL LOCK BRACKET ASSEMBLY
1A	2	905004-01	RETAINING RING, 1/4"
1B	1	267577-02	PIN, 1/4" X 2-13/32" LG.
1C	1	267450-02	ROLLER, 2-1/8" LG.
2	2	902000-4	FLAT WASHER, #8
3	1	900719-04	BUTTON SCREW, 1/4"-20 X 5/8" LG.
4	1	267546-01	LOWER LINK
5	3	900719-03	BUTTON SCREW, 1/4"-20 X 1/2" LG.
6	4	903402-07	FLAT WASHER
7	1	903412-01	FLAT WASHER, 1/4" STAINLESS STEEL
8	1	267561-01	INROLL RAMP LOCK LINK
9	4	266719-03	NUT, SWIVEL 1/2" HEX, THIN, 1/4" LG.
10	1	267551-01	LINK WELDMENT
11	1	267550-01	ROD END, 5/16" X 2" LG. (THREADED 5/16"-18)
12	1	267423-01	GAS SPRING (45 LBS. PRESSURE)
13	1	900727-05	SHOULDER SCREW, 5/16" X 3/4" LG.
14	1	901016-2	THIN HEX NUT, 1/4"-20
15	1	267482-01	SPACER
16	1	902000-8	FLAT WASHER, 5/16"
17	1	900062-3	SHOULDER SCREW, 5/16" X 1/2" LG.
18	3	904004-3	RIVET, 5/32" DIA X .550" LG.
19	3	906414-01	CABLE CLAMP
20	2	905005	RETAINING RING, 3/4"
21	1	265036	PIN, 2-3/8" LG.
22	1	266626-01	ROLLER
23	1	266616-01	BRACKET, KNUCKLE SUPPORT
24	1	267453-011	BARREL NUT, 1/4"-20 X 3/4" LG.
25	2	903402-10	FLAT WASHER, NYLON, 11/32" ID X 7/8" OD

**MAXON**<sup>®</sup> 11921 Slauson Ave. Santa Fe Springs, CA. 90670 (800) 227-4116 FAX (888) 771-7713

# PLATFORM CLOSER ARM

**MAXON**<sup>®</sup>

11921 Slauson Ave. Santa Fe Springs, CA. 90670 (800) 227-4116 FAX (888) 771-7713



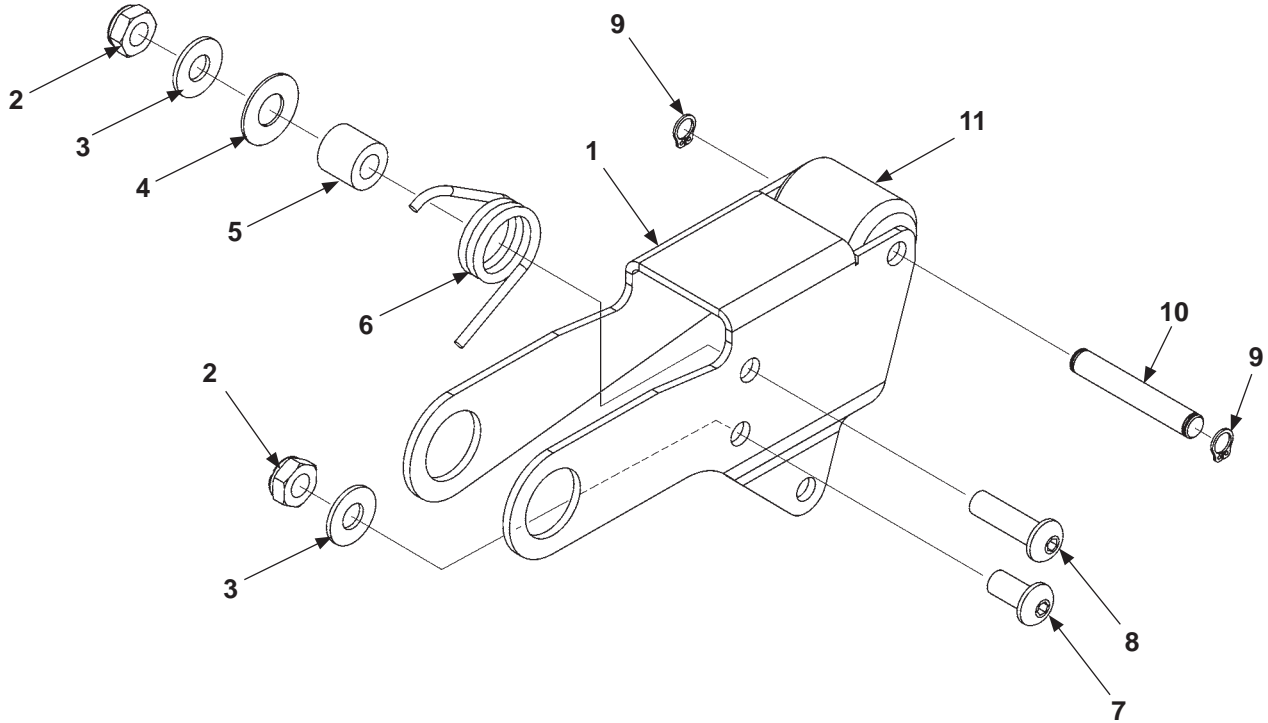
ITEM	QTY.	PART NO.	DESCRIPTION
1	REF	267622-01	PLATFORM CLOSER ARM ASSEMBLY
2	1	905004-02	RETAINING RING, 1/2"
3	2	908062-06	SELF LUBE BEARING
4	2	265017	SELF LUBE BEARING
5	1	267753-01	SWITCH/SPRING ASSEMBLY
6	2	900722-02	BUTTON SCREW, 10-24 X 3/8" LG.
7	1	267565-02	INROLL LOCK WELDMENT
8	1	900726-02	CAP SOCKET SCREW, 5/16" X 1/2" LG.
9	1	903114-01	HEX NUT, 5/16"-18
10	1	901016-2	HEX NUT, 1/4"-20
11	1	267479-01	INROLL RAMP SPRING
12	1	900062-4	SHOULDER SCREW, 5/16" X 5/8" LG.
13	2	903401-01	EXTERNAL TOOTH WASHER, 3/16"

**MAXON**<sup>®</sup> 11921 Slauson Ave. Santa Fe Springs, CA. 90670 (800) 227-4116 FAX (888) 771-7713

# INROLL SUPPORT BRACKET

**MAXON**<sup>®</sup>

11921 Slauson Ave. Santa Fe Springs, CA. 90670 (800) 227-4116 FAX (888) 771-7713



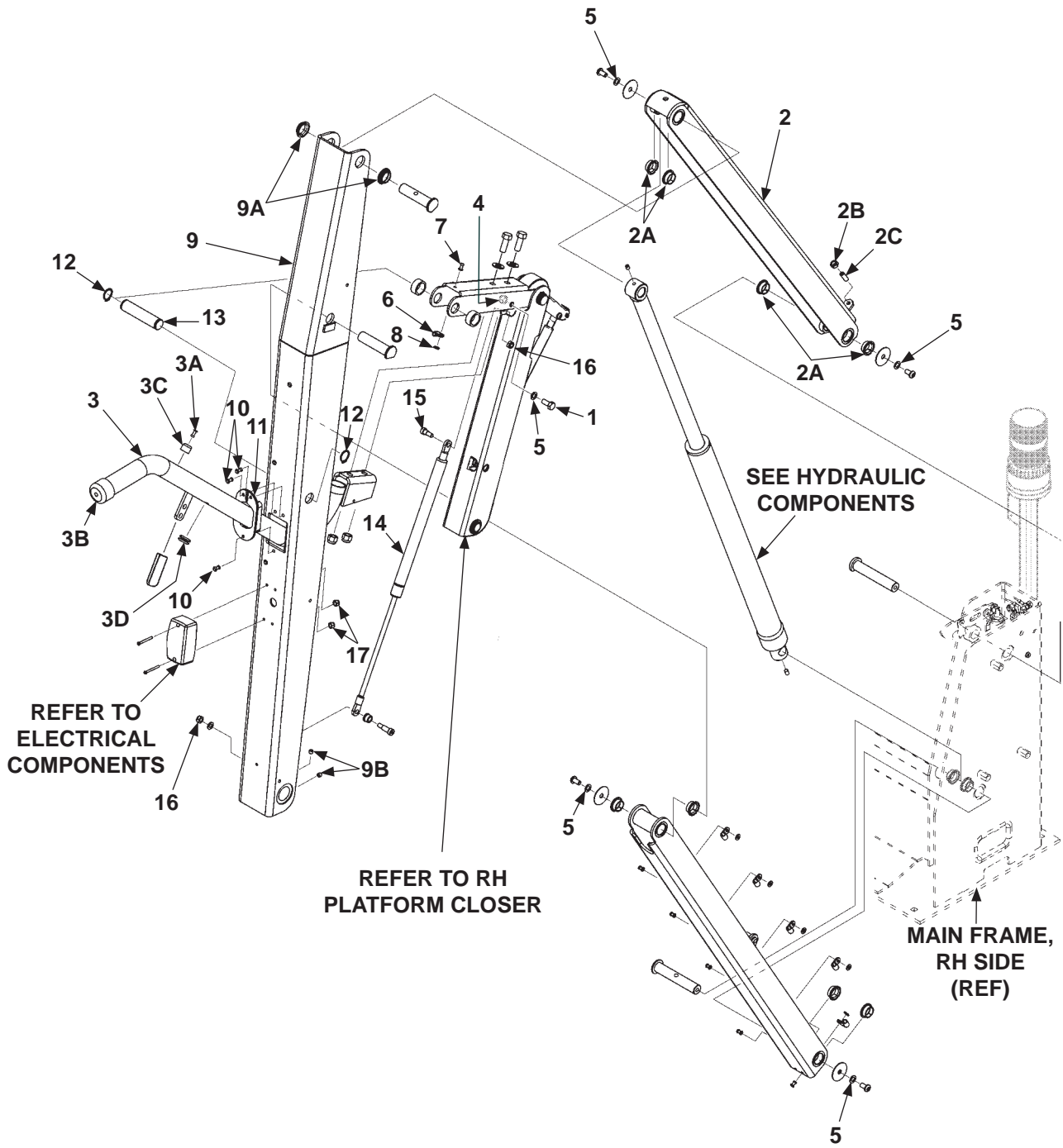
ITEM	QTY.	PART NO.	DESCRIPTION
1	REF	267549-01	INROLL SUPPORT BRACKET
2	2	901016-2	HEX NUT, 1/4"-20
3	2	903409-01	WASHER
4	1	903402-02	FLAT WASHER
5	1	267456-01	LOCK SPRING PIN
6	1	267560-01	LOCK SPRING
7	1	900719-03	BUTTON SCREW, 1/4"-20 X 1/2" LG.
8	1	900719-06	BUTTON SCREW, 1/4"-20 X 7/8" LG.
9	2	905004-01	RETAINING RING, 1/4"
10	1	267577-01	ROLLER PIN, 1/4" X 1-1/2" LG.
11	1	267450-01	INROLL RAMP ROLLER

**MAXON**<sup>®</sup> 11921 Slauson Ave. Santa Fe Springs, CA. 90670 (800) 227-4116 FAX (888) 771-7713

# MAIN ASSEMBLY-3

**MAXON**<sup>®</sup>

11921 Slauson Ave. Santa Fe Springs, CA. 90670 (800) 227-4116 FAX (888) 771-7713



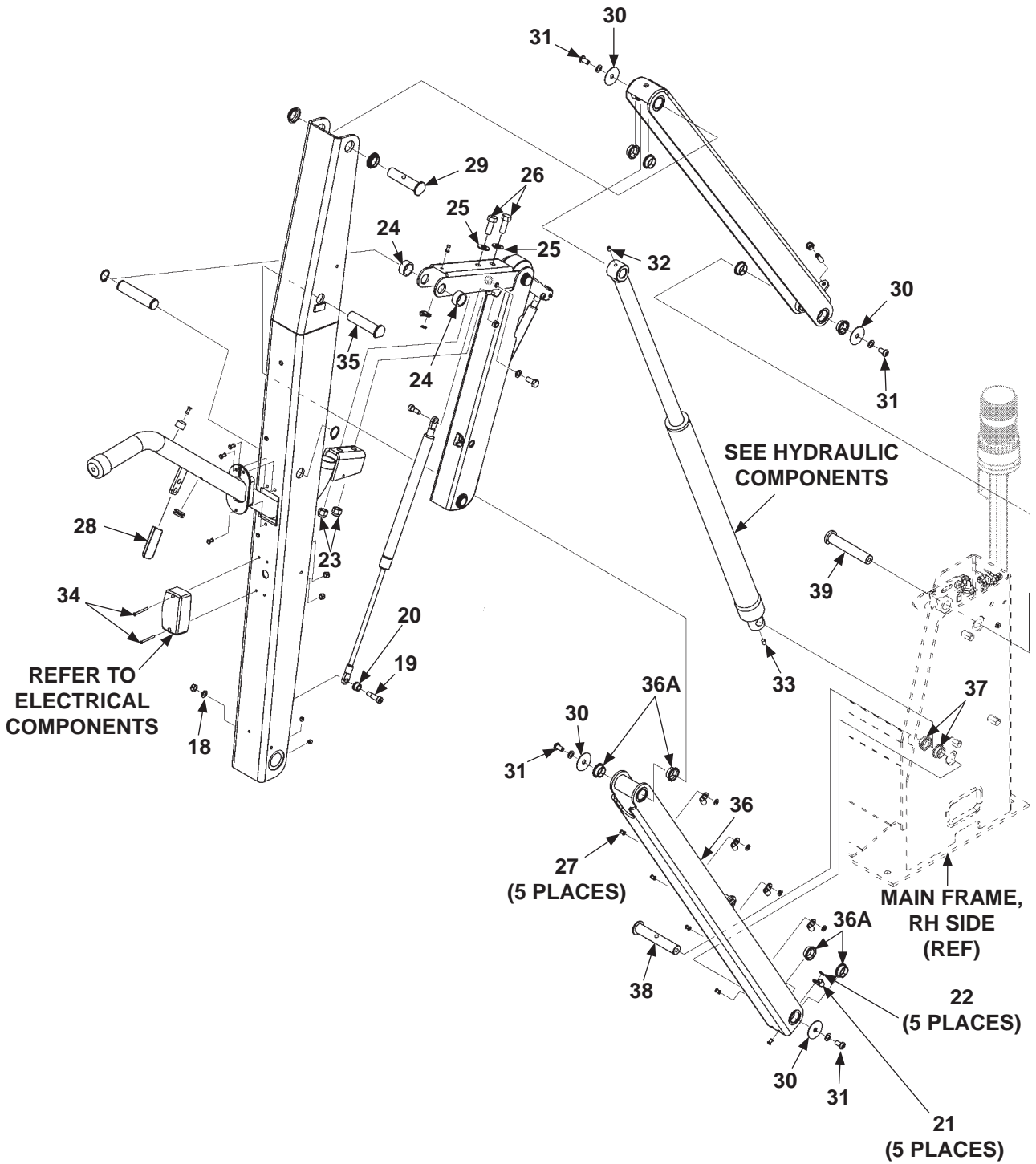


ITEM	QTY.	PART NO.	DESCRIPTION
1	2	900009-3	CAP SCREW, 5/16"-18 X 3/4" LG, GRADE 8
2	1	266609-01	UPPER ARM ASSEMBLY (BEARINGS INCLUDED)
2A	4	265072	SELF LUBE BEARING
2B	1	901005	HEX NUT, 5/16"-18, GRADE 8
2C	1	903006-1	SET SCREW, 5/16"-18 X 1" LG.
3	1	266756-01	HANDRAIL ASSEMBLY RH
3A	1	904004-3	RIVET, 5/32" DIA. X 0.550" LG.
3B	1	905019	CAP
3C	1	905314-01	BUMPER
3D	1	908066-01	GROMMET
4	3	901001	LOCK NUT, 5/16"-18
5	7	902000-7	FLAT WASHER, 5/16"
6	1	906414-01	CABLE CLAMP
7	1	904004-3	RIVET, 5/32" DIA. X 0.550" LG.
8	1	902000-4	FLAT WASHER, #8
9	1	267115-02	VERTICAL ARM ASSEMBLY, RH (COMES WITH BEARINGS, SET SCREWS, & CABLE TIE HOLDERS)
9A	2	265017	SELF LUBE BEARING
9B	2	903004-1	SET SCREW, 3/8"-16 X 3/8" LG.
10	3	904004-2	RIVET, 3/16" DIA. X 0.565" LG.
11	1	266961-01	COVER, VERTICAL ARM - HANDRAIL
12	2	905005	RETAINING RING, 3/4"
13	1	266644-01	PIN
14	1	266960-02	GAS SPRING, 130 LBS. PRESSURE
15	1	900062-1	SHOULDER SCREW, 5/16" DIA. X 1/4" LG.
16	2	901016-2	LOCK NUT, 1/4", THIN HEAD
17	2	901006	LOCK NUT, #8-32

**MAXON**<sup>®</sup> 11921 Slauson Ave. Santa Fe Springs, CA. 90670 (800) 227-4116 FAX (888) 771-7713

# MAIN ASSEMBLY-3 - Continued

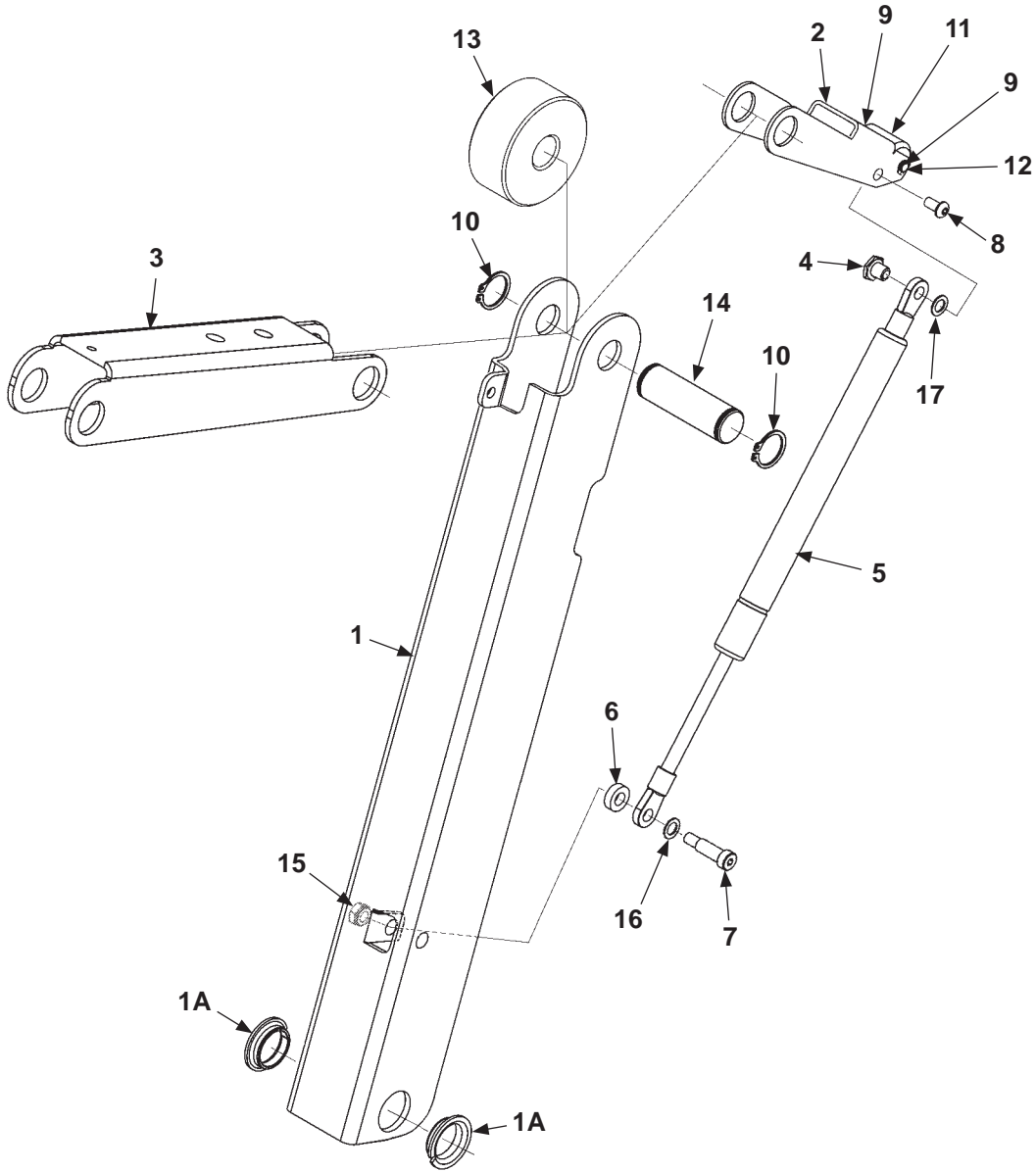
**MAXON**<sup>®</sup> 11921 Slauson Ave. Santa Fe Springs, CA. 90670 (800) 227-4116 FAX (888) 771-7713



ITEM	QTY.	PART NO.	DESCRIPTION
18	1	902000-2	FLAT WASHER, 1/4"
19	1	900062-4	SHOULDER SCREW, 5/16" DIA. X 5/8" LG.
20	1	905009-01	SPACER, NYLON, 1/4"
21	5	905056	CLAMP
22	5	902000-5	FLAT WASHER, #10
23	2	901002	LOCK NUT, 3/8"-16
24	2	266596-01	SPACER
25	2	902013-11	FLAT WASHER, 3/8"
26	2	900014-4	CAP SCREW, 3/8"-16 X 1" LG, GRADE 8
27	5	904002-2	RIVET, 3/16" DIA X 0.55" LG.
28	1	267623-01	VINYL CAP
29	1	266641-01	PIN, UPPER ARM
30	4	902004-2	FENDER FLAT WASHER, 11/32"
31	4	900001-11	BUTTON SCREW, 5/16"-18 X 5/8" LG.
32	1	903002-7	SET SCREW, 1/4"-20 X 3/8" LG.
33	1	903002-1	SET SCREW, 1/4"-20 X 1/2" LG.
34	2	REF	PAN HEAD SCREW, #8-32 X 2" LG. (PART OF LAMP ASSY)
35	1	266642-01	PIN, LOWER ARM-VERTICAL ARM
36	1	266611-02	LOWER ARM ASSEMBLY, RH
36A	4	265072	SELF LUBE BEARING
37	2	265072	SELF LUBE BEARING
38	1	266641-02	PIN, LOWER ARM-TOWER
39	1	266642-02	PIN, UPPER ARM-TOWER

**MAXON**<sup>®</sup> 11921 Slauson Ave. Santa Fe Springs, CA. 90670 (800) 227-4116 FAX (888) 771-7713

# RH PLATFORM CLOSER



**MAXON**<sup>®</sup>

11921 Slauson Ave. Santa Fe Springs, CA. 90670 (800) 227-4116 FAX (888) 771-7713

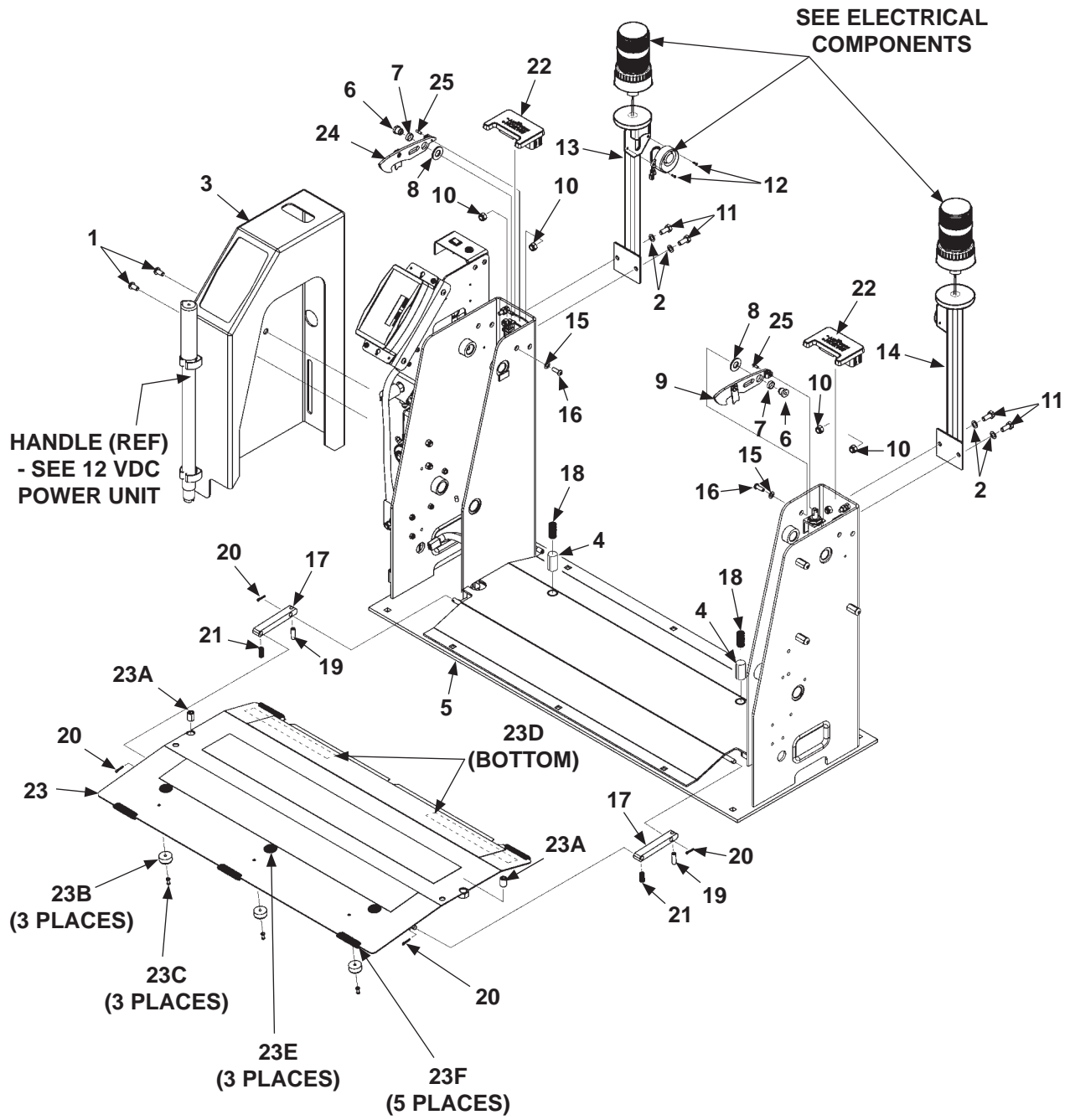
ITEM	QTY.	PART NO.	DESCRIPTION
REF	1	268815-01	RH PLATFORM CLOSER
1	1	268812-01	ARM (RH PLATFORM CLOSER)
1A	2	265017	BEARING, SELF-LUBE, 3/4" DIA. X 1/4" LG.
2	1	268814-01	ARM (DUMMY ROLLER)
3	1	266616-01	BRACKET, KNUCKLE SUPPORT
4	1	266719-03	SWIVEL NUT, 1/2" HEX, 1/4"-20
5	1	267423-01	GAS SPRING
6	1	267482-01	SPACER, 5/16" DIA. X 3/16" LG.
7	1	900062-3	SHOULDER SCREW, 1/4"-20, 5/16" X 1/2" LG. SHOULDER
8	1	900719-03	BUTTON SCREW, 1/4"-20 X 1/2" LG.
9	2	905004-01	RETAINING RING, 1/4"
10	2	905006	RETAINING RING, 3/4"
11	1	266626-02	ROLLER, 1.17" WIDE
12	1	267577-01	ROLLER PIN, 1/4" X 1-1/2" LG.
13	1	267450-01	INROLL RAMP ROLLER
14	1	265036	PIN, SNAP RING
15	1	901016-2	LOCK NUT, THIN HD, 1/4"-20
16	1	902008	FLAT WASHER, 5/16"
17	1	903402-07	FLAT WASHER, NYLON, 5/16" X 1/2" O.D.

**MAXON**<sup>®</sup> 11921 Slauson Ave. Santa Fe Springs, CA. 90670 (800) 227-4116 FAX (888) 771-7713

# MAIN ASSEMBLY-4

**MAXON**<sup>®</sup>

11921 Slauson Ave. Santa Fe Springs, CA. 90670 (800) 227-4116 FAX (888) 771-7713



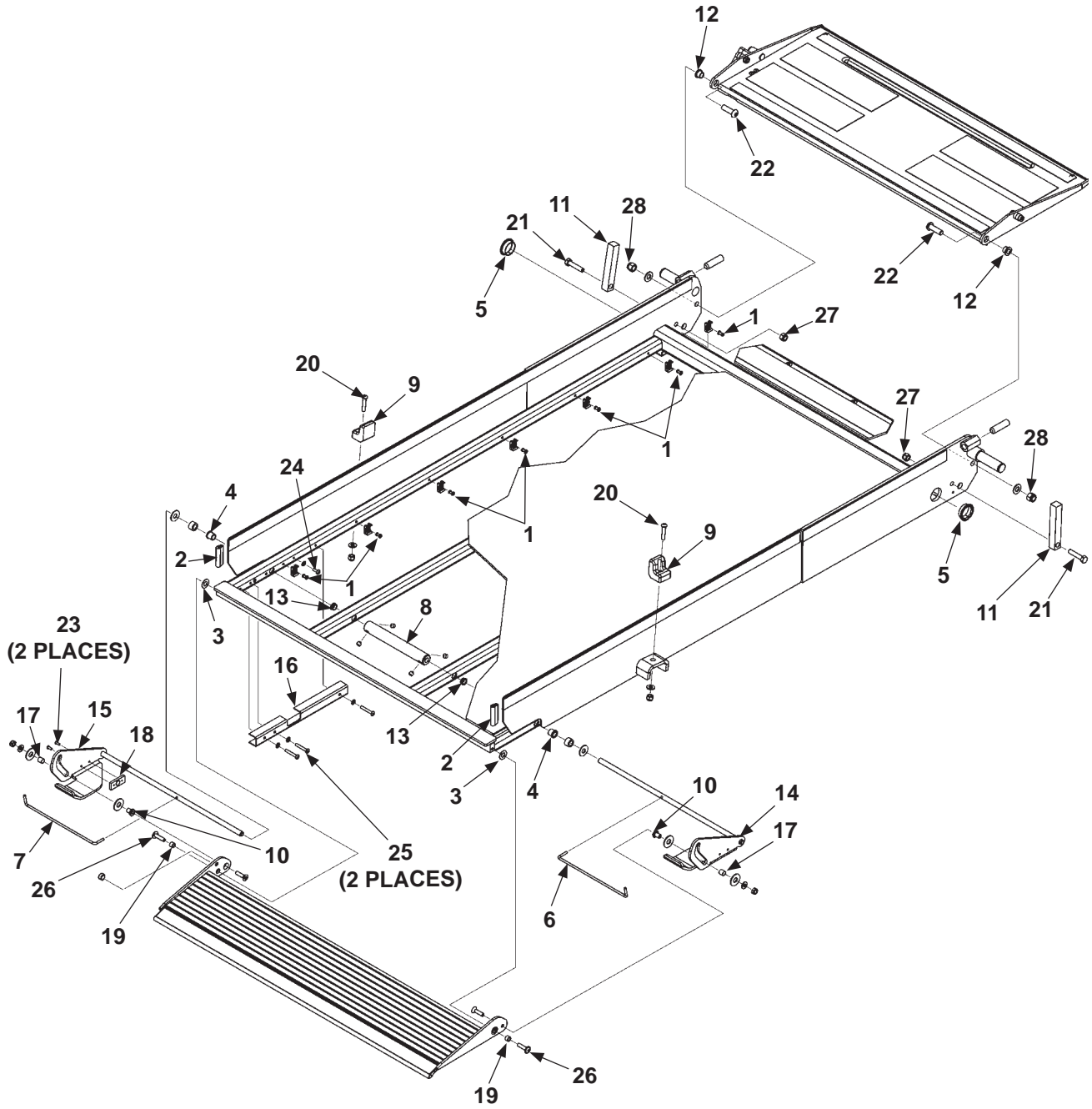
ITEM	QTY.	PART NO.	DESCRIPTION
1	2	900733-02	FLANGE SCREW, 5/16"-18 X 1/2" LG.
2	4	902000-7	FLAT WASHER, 5/16"
3	1	267972-01	COVER ASSEMBLY, LH
		267973-01	COVER ASSEMBLY, RH
4	2	268832-01	POLYESTER (1" X 2" PIECE)
5	1	267759-01	MAIN FRAME (FOR 30" WIDE PLATFORM)
		267759-02	MAIN FRAME (FOR 33" WIDE PLATFORM)
		267759-03	MAIN FRAME (FOR 34" WIDE PLATFORM)
6	2	266852-01	LATCH SUPPORT PIN
7	2	908027-01	SLEEVE BEARING, 1/2" I.D.
8	2	902013-13	FLAT WASHER, 1/2"
9	1	266569-02	LATCH ASSEMBLY, RH
10	4	901001	LOCK NUT, 5/16"-18
11	4	900009-3	HEX BOLT, 5/16"-18 X 3/4" LG, GRADE 8
12	2	904000-1	RIVET, BLIND, 1/8" DIA. X 0.390" LG.
13	1	267470-01	LIGHT MOUNT BRACKET, LH
14	1	267470-02	LIGHT MOUNT BRACKET, RH
15	2	902000-2	FLAT WASHER, 1/2"
16	2	900005-3	BUTTON SCREW, 1/4"-20 X 3/4" LG.
17	2	267506-01	LINK
18	2	908072-01	SPRING
19	2	903006-1	SET SCREW, 5/16"-18 X 1" LG.
20	4	904704-01	COTTER PIN
21	2	908073-01	SPRING
22	2	267210-01	TOWER COVER
23	1	267510-01	THRESHOLD PLATE, 30"
		267510-02	THRESHOLD PLATE, 33"
		267510-03	THRESHOLD PLATE, 34"
23A	2	267349-02	SET SCREW, 1/2"-20 X 3/4" LG. (WITH VIBRA-TITE)
23B	3	905314-04	BUMPER WITH WASHER
23C	3	904004-3	RIVET, 5/32" DIA. X 0.550" LG.
23D	2	096021-10	RUBBER SEAL, ADHES. BACK, 8" LG.
23E	3	267902-01	PLUG
23F	5	096028-10	TRIM MOLDING, 1-3/4" LG.
24	1	266569-01	LATCH ASSEMBLY, LH
25	2	905128-03	ROLL PIN, 1/8" DIA. X 1/2" LG.

**MAXON**<sup>®</sup> 11921 Slauson Ave. Santa Fe Springs, CA. 90670 (800) 227-4116 FAX (888) 771-7713

# PLATFORM ASSEMBLY

**MAXON**<sup>®</sup>

11921 Slauson Ave. Santa Fe Springs, CA. 90670 (800) 227-4116 FAX (888) 771-7713





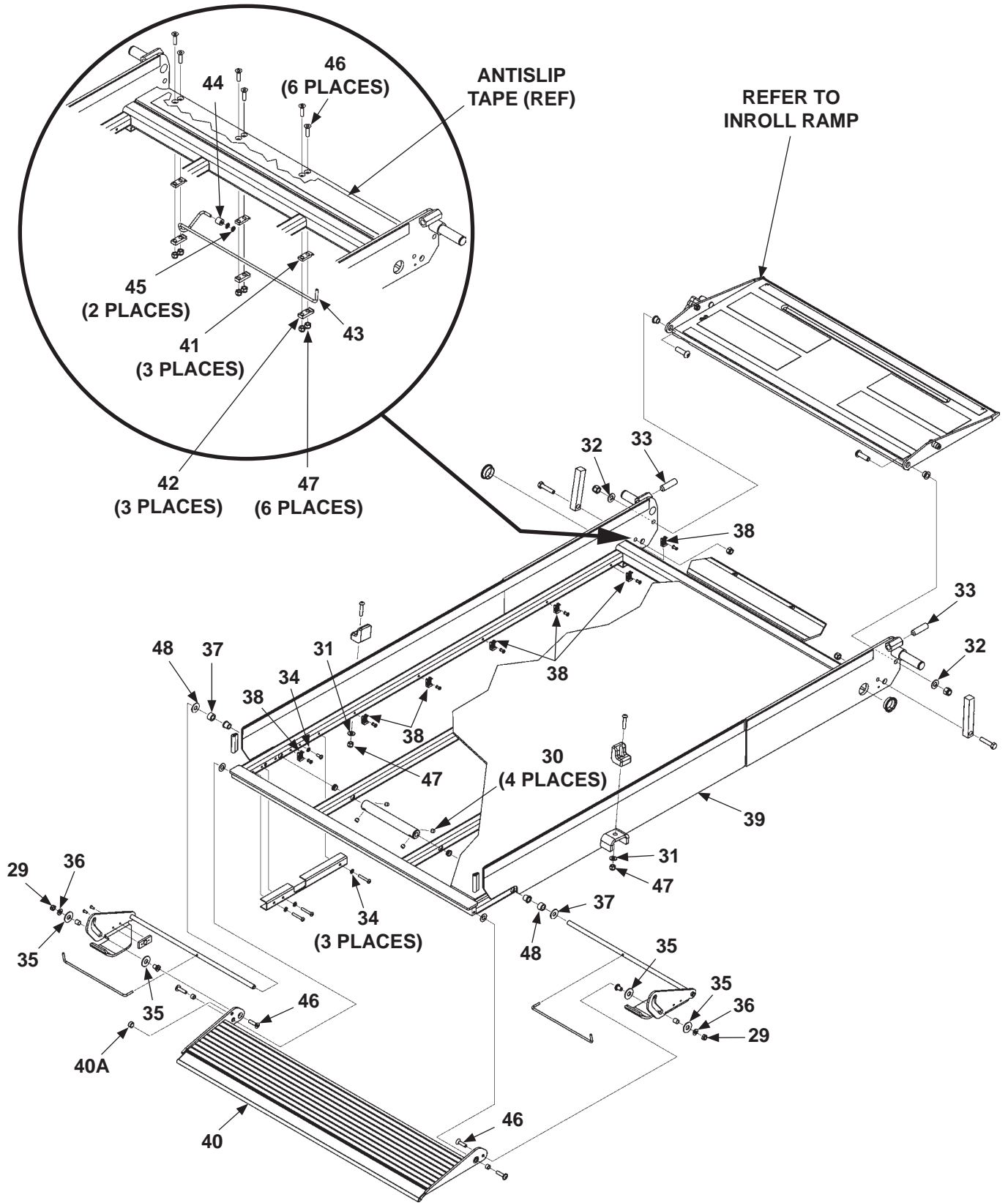
ITEM	QTY.	PART NO.	DESCRIPTION
REF	1	267625-01	PLATFORM ASSY, 30" W X 53" LG.
		267625-02	PLATFORM ASSY, 33" W X 53" LG.
		267625-03	PLATFORM ASSY, 34" W X 53" LG.
1	7	904004-3	RIVET, 5/32" DIA. X .550" LG.
2	2	096028-10	TRIM MOLDING
3	2	903402-13	NYLON FLAT WASHER, .39 I.D X 1-3/4" O.D.
4	2	265057	BUSHING, STOP ACTUATOR
5	2	265062	BEARING SELF LUBE, 1" DIA. X 3/8" LG.
6	1	265063-01	TORSION SPRING, RH
7	1	265063-02	TORSION SPRING, LH
8	1	266311-01	COLLAR STOP ACTUATOR
9	2	268225-01	PLATFORM STOP
10	2	266719-02	SWIVEL HEX NUT, 1/2" (THIN HEAD)
11	2	266725-01	PLATFORM ADJUSTER STRIKER
12	2	266893-03	FLANGE BEARING, 3/8" ID X 3/4" LG.
13	2	267172-06	SNAP-IN BEARING, 7/16"
14	1	267454-01	SKI, WELDMENT, RH
15	1	267454-02	SKI, WELDMENT, LH
16	1	267481-01	COVER, MAGNETIC SENSORS
17	2	267487-02	BEARING, SLEEVE, 3/8" OD X 3/8" LG. (SS)
18	1	267488-01	MAGNET ASSY, OUTBOARD ROLLSTOP LOCK
19	2	267487-01	BEARING, SLEEVE, 3/8" OD X 1/4" LG. (SS)
20	2	900725-04	HEX SKT HD SCREW, FLANGED, 1/4"-20 X 1" LG.
21	2	900009-6	CAP SCREW, 5/16"-18 X 1-1/2" LG.
22	2	900064-06	BUTTON SCREW, 3/8"-16 X 1-1/4" LG.
23	2	900713-05	BUTTON SCREW, 6-32 X 3/8" LG.
24	1	900722-03	BUTTON SCREW, 10-24 X 1/2" LG.
25	3	900722-08	BUTTON SCREW, 10-24 X 1-1/4" LG.
26	2	900013-2	BUTTON HEAD SCREW, 5/16"-18 X 3/4" LG.
27	2	901001	LOCK NUT, 5/16"-18
28	2	901002	LOCK NUT, 3/8"-16

**MAXON**<sup>®</sup> 11921 Slauson Ave. Santa Fe Springs, CA. 90670 (800) 227-4116 FAX (888) 771-7713

# PLATFORM ASSEMBLY - Continued

**MAXON**<sup>®</sup>

11921 Slauson Ave. Santa Fe Springs, CA. 90670 (800) 227-4116 FAX (888) 771-7713



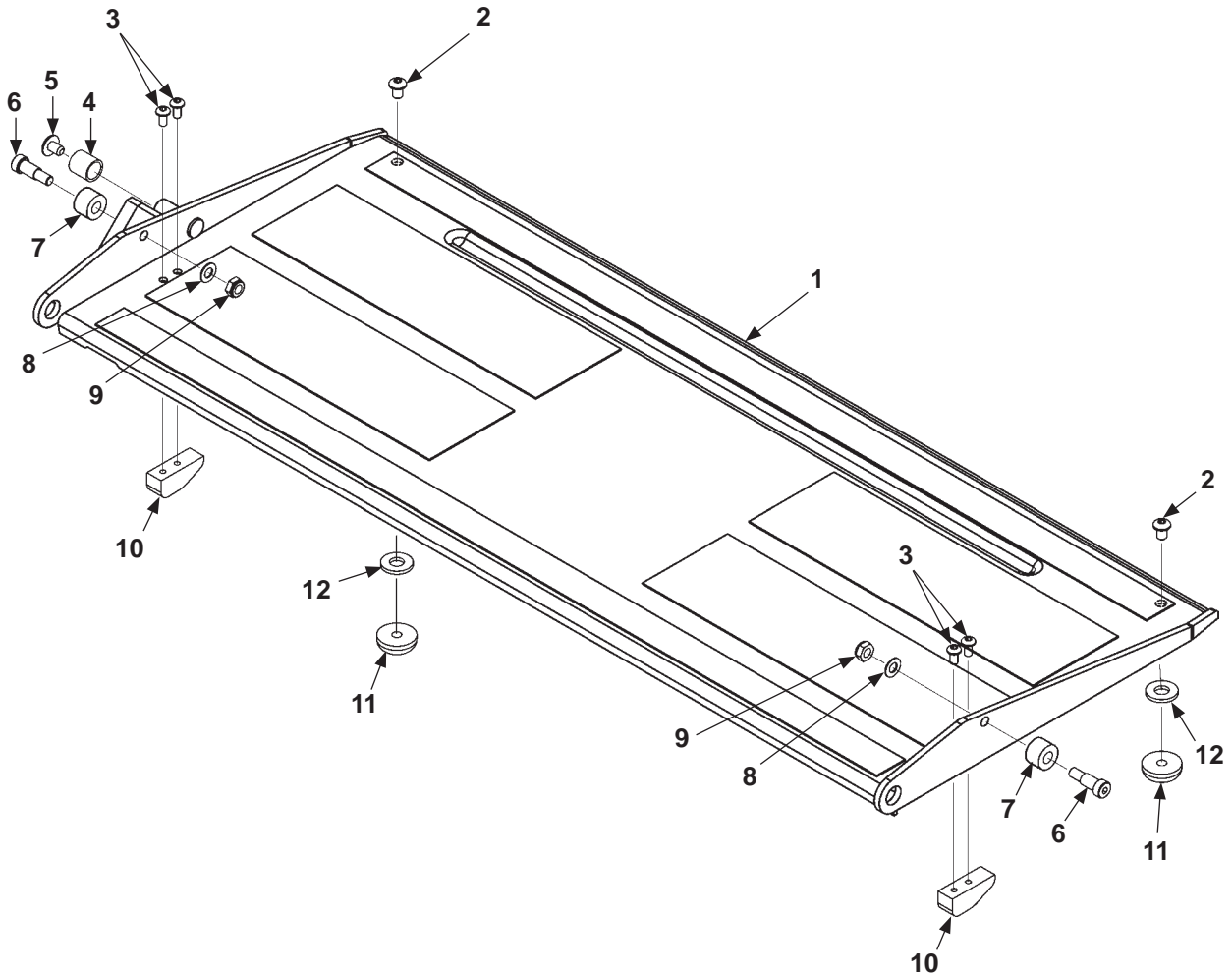
PATENTS PENDING

ITEM	QTY.	PART NO.	DESCRIPTION
29	2	901016-2	LOCK NUT, THIN HEAD, 1/4"-20
30	4	901200-01	SET SCREW, CONE PT, 5/16"-24 X 5/16" LG.
31	2	902013-09	FLAT WASHER, 1/4"
32	2	902013-11	FLAT WASHER, 3/8"
33	2	903010-01	SET SCREW, SELF-LOCKING, CUP PT, 1/2"-20
34	4	903401-01	WASHER, EXTERNAL TOOTH, 3/16"
35	4	903402-11	FLAT WASHER, NYLON, .41" ID X 1" OD
36	2	903412-01	FLAT WASHER, 1/4", SS
37	2	905016-03	SPACER, NYLON .39" ID X 3/8" LG.
38	7	905070-01	CABLE TIE HOLDER, 2-WAY, HEAVY DUTY
39	1	267460-01	PLATFORM, 30" WIDE
		267460-02	PLATFORM, 33" WIDE
		267460-03	PLATFORM, 34" WIDE
40	1	267475-01	OUTBOARD ROLLSTOP, 30" WIDE
		267475-02	OUTBOARD ROLLSTOP, 33" WIDE
		267475-03	OUTBOARD ROLLSTOP, 34" WIDE
40A	1	267451-01	MAGNET
41	3	267554-01	UPPER TORSION SPRING BLOCK
42	3	267555-01	LOWER TORSION SPRING BLOCK
43	1	267574-01	TORSION SPRING, INROLL RAMP
44	1	267576-01	TORSION SPRING ROLLER
45	1	267587-01	PUSH RETAINER, 3/16" DIA. SHAFT
46	8	900044-6	SOCKET SCREW, 1/4"-20 X 1" LG.
47	8	901000	LOCK NUT, 1/4"-20
48	2	903402-09	FLAT WASHER, NYLON, 3/8" ID X 3/4" OD

**NOTE:** Use a bearing retaining compound such as Loctite 609 or equivalent to secure magnet **(item 40A)** to outboard rollstop.

# INROLL RAMP (INBOARD ROLLSTOP)

**MAXON**<sup>®</sup> 11921 Slauson Ave. Santa Fe Springs, CA. 90670 (800) 227-4116 FAX (888) 771-7713



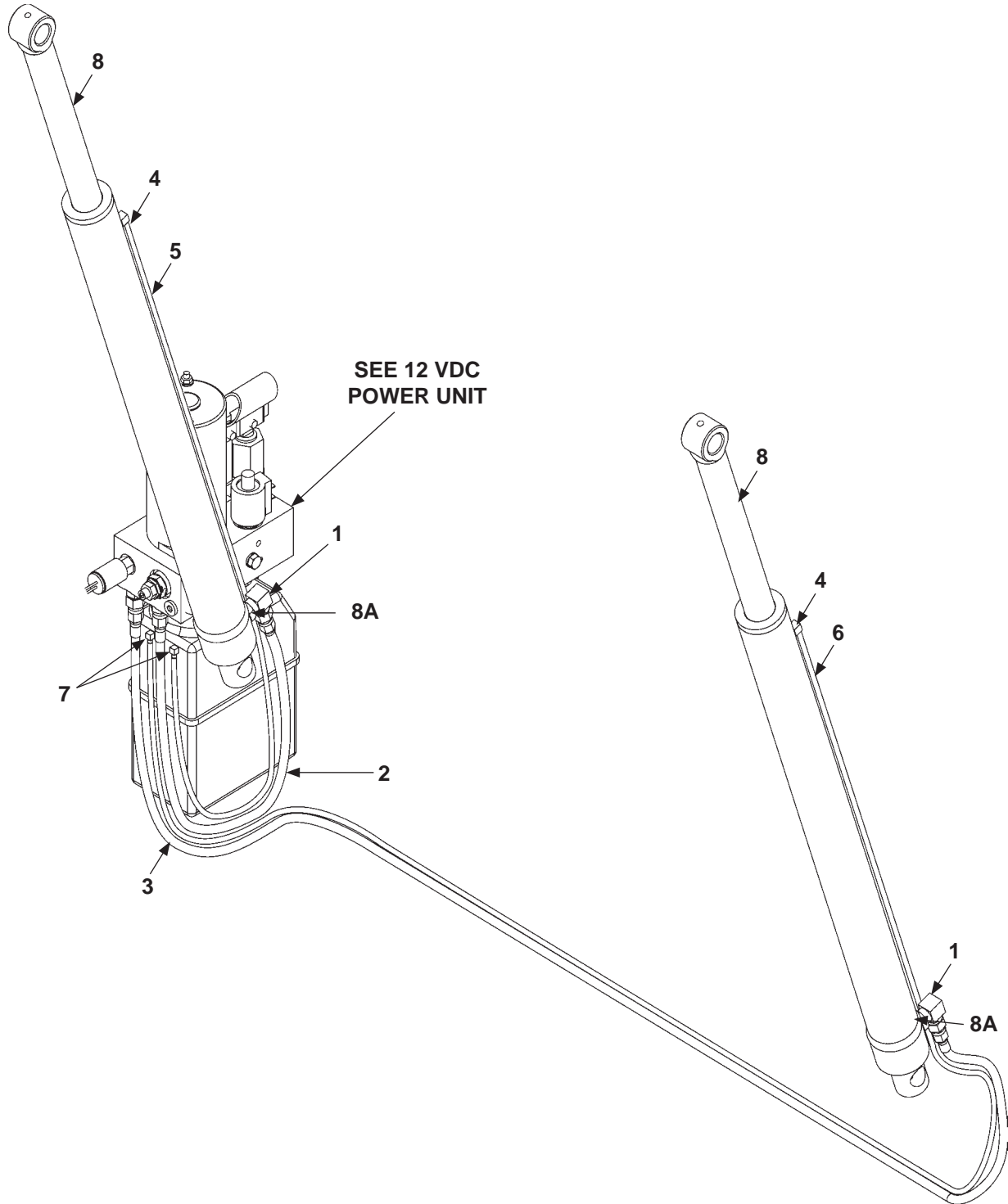
ITEM	QTY.	PART NO.	DESCRIPTION
1	REF	267618-01	INROLL RAMP (INBOARD ROLLSTOP), 30" WIDE
		267618-02	INROLL RAMP (INBOARD ROLLSTOP), 33" WIDE
		267618-03	INROLL RAMP (INBOARD ROLLSTOP), 34" WIDE
2	2	900005-1	BUTTON SCREW, 1/4"-20 X 3/8" LG.
3	4	900722-02	BUTTON SCREW, 10-20 X 3/8" LG.
4	1	267465-01	LOCK ROLLER BUSHING
5	1	900725-01	FLANGE SCREW, 1/4"-20 X 3/8" LG.
6	2	900062-3	SHOULDER SCREW, 5/16" X 1/2" LG.
7	2	905332-01	SPACER, 3/4" O.D. x 1/2" LG.
8	2	902000-2	FLAT WASHER, 1/4"
9	2	901016-2	LOCK NUT, THIN, 1/4"-20
10	2	267477-01	SLIDE, INROLL RAMP
11	2	261319	GUIDE, PLATFORM FRONT W/CHAIR
12	2	905323-02	RUBBER WASHER, 3/8" X 13/16" X 15/16" THK

**MAXON**<sup>®</sup> 11921 Slauson Ave. Santa Fe Springs, CA. 90670 (800) 227-4116 FAX (888) 771-7713

# HYDRAULIC COMPONENTS

**MAXON**<sup>®</sup>

11921 Slauson Ave. Santa Fe Springs, CA. 90670 (800) 227-4116 FAX (888) 771-7713



ITEM	QTY.	PART NO.	DESCRIPTION
1	2	906718-01	ELBOW, 90° O-RING, SAE#6 - JIC#4 MALE
2	1	267742-01	HOSE ASSEMBLY, 30" LG. (1/8" I.D.), JIC#4
3	1	267743-01	HOSE ASSEMBLY, 68" LG. (1/8" I.D.), JIC#4
4	2	905024	ELBOW FITTING, MALE #10-32 - 1/4", BARB
5	1	224370-23	HOSE, PLASTIC, 56" LG. (1/8" I.D.)
6	1	224370-24	HOSE, PLASTIC, 91" LG. (1/8" I.D.)
7	2	906767-01	UNION ELBOW, 1/4" O.D. TUBE
8	2	266645-01	CYLINDER, 1-1/2" BORE X 19" STROKE ( <b>SEE NOTE</b> )
8A	2	906717-01	FLOW CONTROL VALVE ( <b>SEE NOTE</b> )

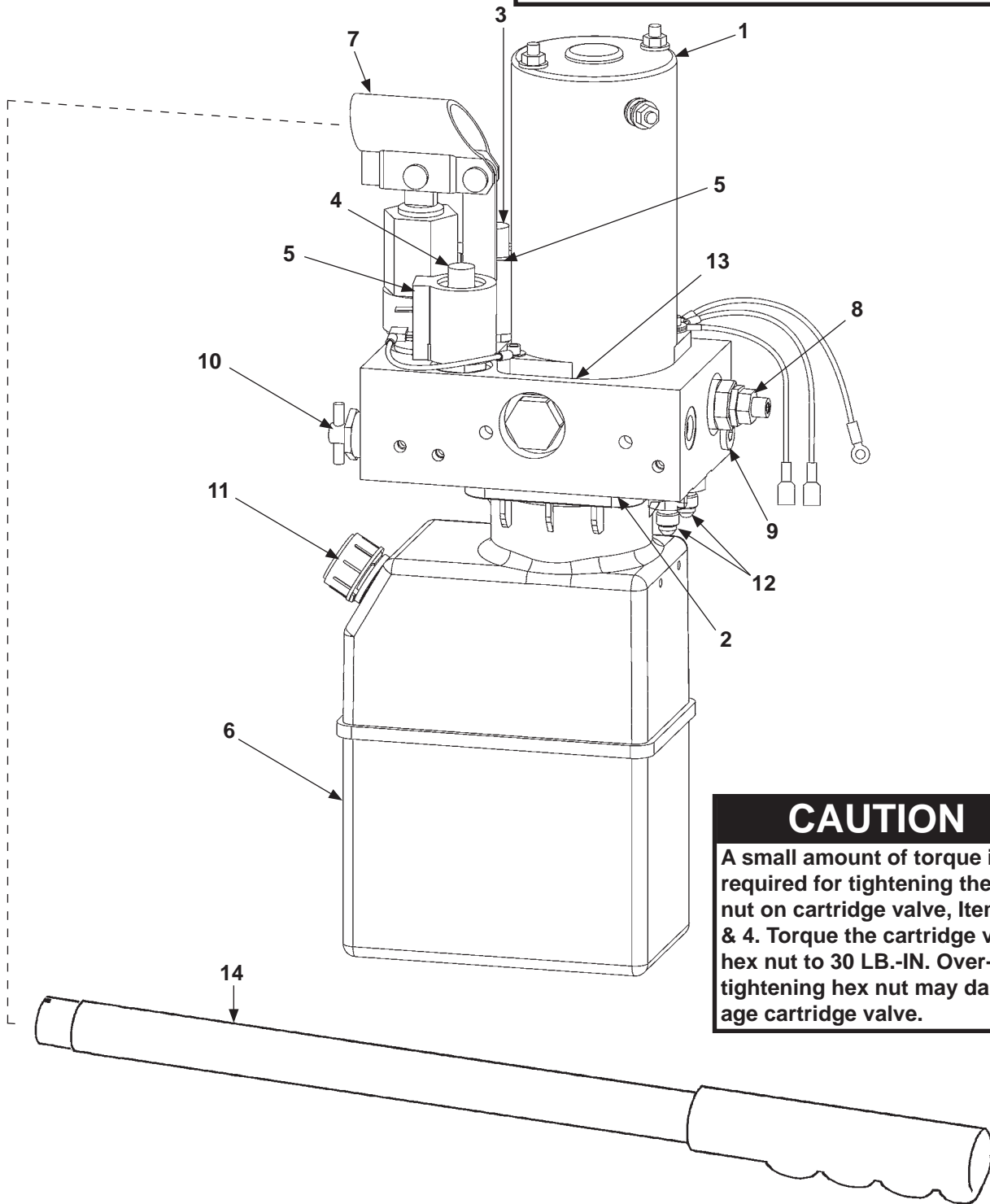
**NOTE:** For Lift to operate correctly, cylinders must match. If one cylinder needs replacement, both must be replaced with a matched set. If a flow control valve must be replaced, a matched set is required to replace that valve in both cylinders.

**MAXON**<sup>®</sup> 11921 Slauson Ave. Santa Fe Springs, CA. 90670 (800) 227-4116 FAX (888) 771-7713

## 12 VDC POWER UNIT

### CAUTION

The pressure relief valve, item 8, is adjusted at the factory and fitted with an anti-tamper seal to discourage adjustment. Attempts to adjust the pressure relief valve can cause the Lift to operate incorrectly.



### CAUTION

A small amount of torque is required for tightening the hex nut on cartridge valve, Items 3 & 4. Torque the cartridge valve hex nut to 30 LB.-IN. Overtightening hex nut may damage cartridge valve.

**MAXON**<sup>®</sup>

11921 Slauson Ave. Santa Fe Springs, CA. 90670 (800) 227-4116 FAX (888) 771-7713



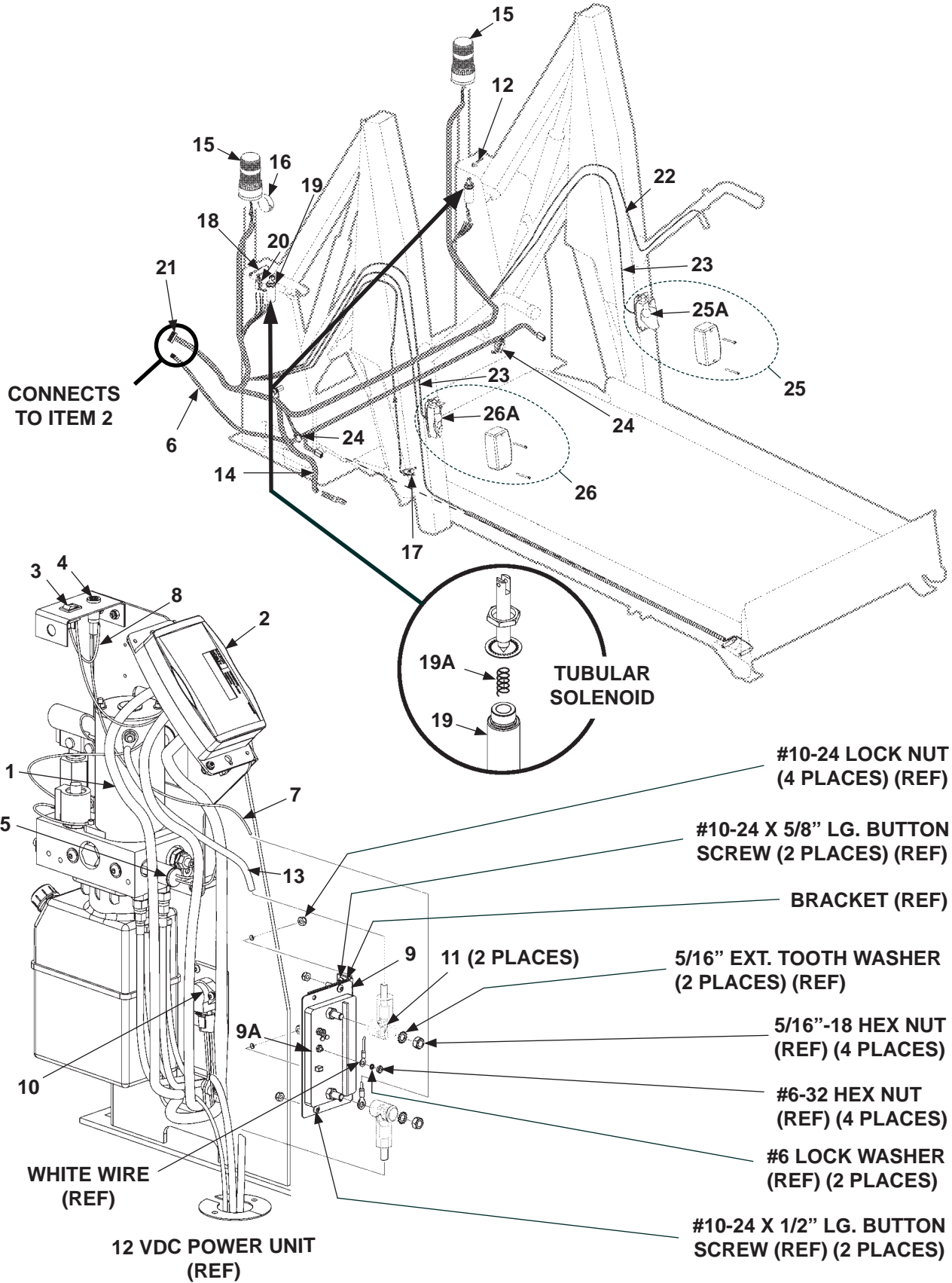
ITEM	QTY.	PART NO.	DESCRIPTION
REF	1	267740-01	12 VDC POWER UNIT
1	1	267925-01	MOTOR, 12 VDC
2	1	267926-01	GEAR PUMP
3	1	267927-01	POPPET VALVE, NC 2-WAY
4	1	267928-01	SPOOL VALVE, NC 2-WAY
5	2	267929-01	COIL, 10 VDC, SPADE
6	1	267930-01	RESERVOIR, 2 QT.
7	1	267931-01	MANUAL HAND PUMP
8	1	267932-01	ADJUSTABLE RELIEF VALVE
9	1	267933-01	FLOW CONTROL, .018" ORIFICE
10	1	267934-01	NEEDLE VALVE, MANUAL
11	1	267935-01	FILLER-BREATHER
12	2	450017	FITTING, STRAIGHT, O-RING #6 & JIC #4
13	1	267938-01	COUPLER (PUMP-MOTOR)
14	1	267965-01	PUMP HANDLE

**MAXON**<sup>®</sup> 11921 Slauson Ave. Santa Fe Springs, CA. 90670 (800) 227-4116 FAX (888) 771-7713

# ELECTRICAL COMPONENTS

**MAXON**<sup>®</sup>

11921 Slauson Ave. Santa Fe Springs, CA. 90670 (800) 227-4116 FAX (888) 771-7713



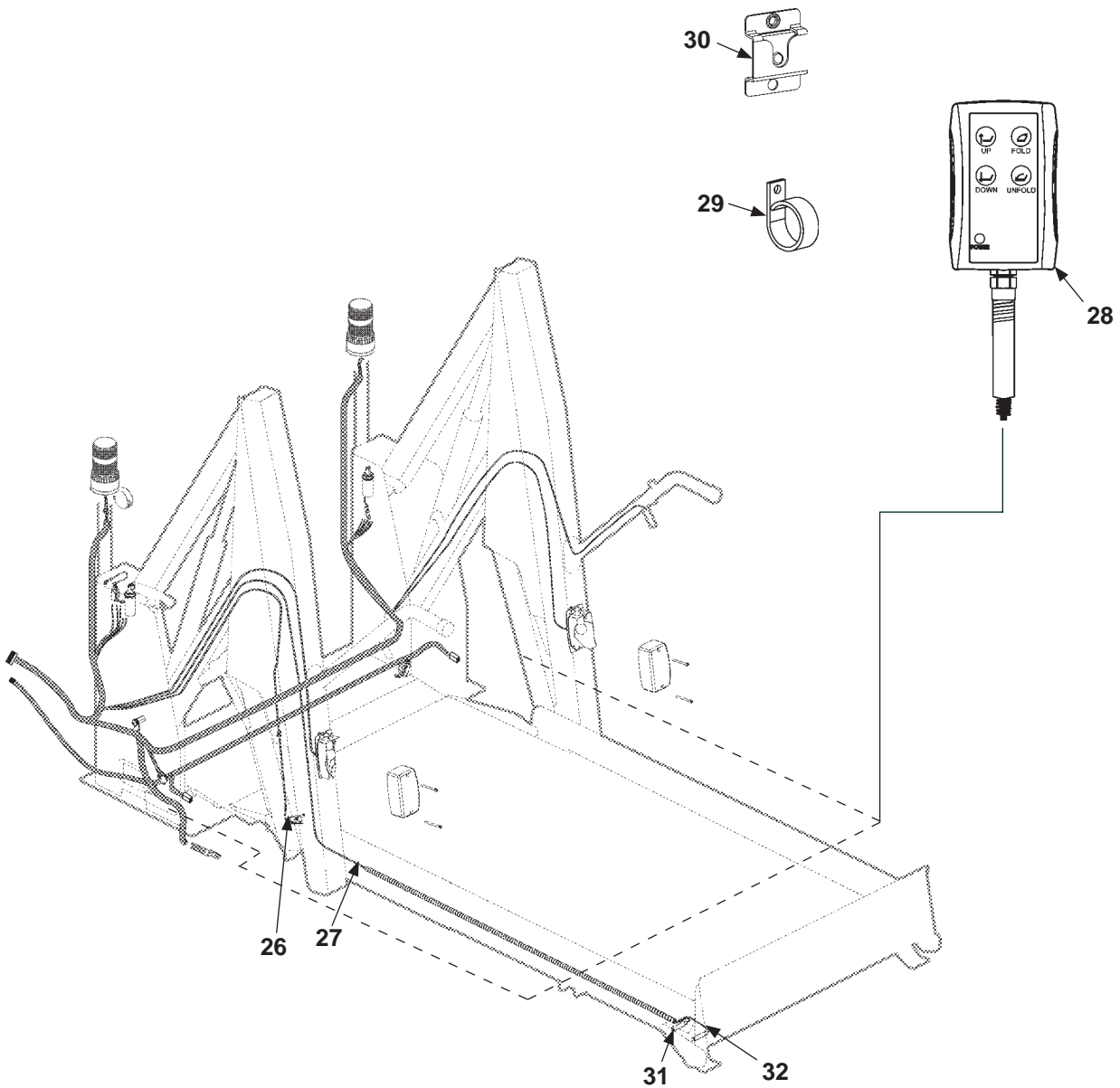
ITEM	QTY.	PART NO.	DESCRIPTION
1	1	267751-01	PUMP HARNESS, WL-7, C
2	1	267747-01	CONTROLLER ASSY, WL-7, C
3	1	906588-01	ROCKER SWITCH, WITH LEGEND
4	1	906462-01	FUSE WITH FUSE HOLDER
5	1	267748-01	TRANSDUCER ASSY, 0-2000 PSI
6	1	268031-01	EXTENSION HARNESS
7	1	267913-01	WIRE ASSY, (FUSE-TO-DC RELAY)
8	1	267941-01	WIRE ASSY, (FUSE-TO-ROCKER SWITCH)
9	1	267969-01	DC RELAY ASSY (LH PUMP) (INCLUDES SCREWS, NUTS & WASHERS)
		267969-02	DC RELAY ASSY (RH PUMP) (INCLUDES SCREWS, NUTS & WASHERS)
9A	1	267915-01	DC RELAY, 100 AMP
10	1	267907-01	ILAPS SWITCH ASSY, (LH PUMP)
		267907-02	ILAPS SWITCH ASSY, (RH PUMP)
11	2	268152-02	LUG COVER, RED (POWER CABLE)
12	1	268093-01	WIRE ASSY, 10" LG. (18 GA BLACK)
13	1	267942-02	CABLE ASSEMBLY, 2 GA (16" LG)
14	1	251871-06	CABLE ASSEMBLY, 2 GA, 48" LG. (GROUNDING CABLE)
15	2	267471-01	STEADY BURN LAMP (RED BEACON ASSEMBLY)
16	1	266922-01	ELECTRIC SIREN
17	1	267753-01	INROLL RAMP (INBD ROLLSTOP) SWITCH & SPRING ASSEMBLY
18	1	266926-01	WIRE ASSEMBLY, 5" LG.
19	2	266955-01	TUBULAR SOLENOID
19A	1	266562-01	SOLENOID SPRING
20	1	266881-01	WATERTIGHT SWITCH
21	1	267944-01	MAIN HARNESS (LH PUMP)
		267944-02	MAIN HARNESS (RH PUMP)
22	1	266929-01	SEATBELT HARNESS
23	2	266899-01	CABLE ASSEMBLY
24	2	266881-02	WATERTIGHT SWITCH
25	1	267911-02	LAMP ASSEMBLY WITH HARDWARE, RIGHT
26A	1	906475-01	BULB (AUTOMOTIVE TYPE 1156)
27	1	267911-01	LAMP ASSEMBLY WITH HARDWARE, LEFT
27A	1	906475-01	BULB (AUTOMOTIVE TYPE 1156)

**MAXON**<sup>®</sup> 11921 Slauson Ave. Santa Fe Springs, CA. 90670 (800) 227-4116 FAX (888) 771-7713

# ELECTRICAL COMPONENTS - Continued

**MAXON**<sup>®</sup>

11921 Slauson Ave. Santa Fe Springs, CA. 90670 (800) 227-4116 FAX (888) 771-7713



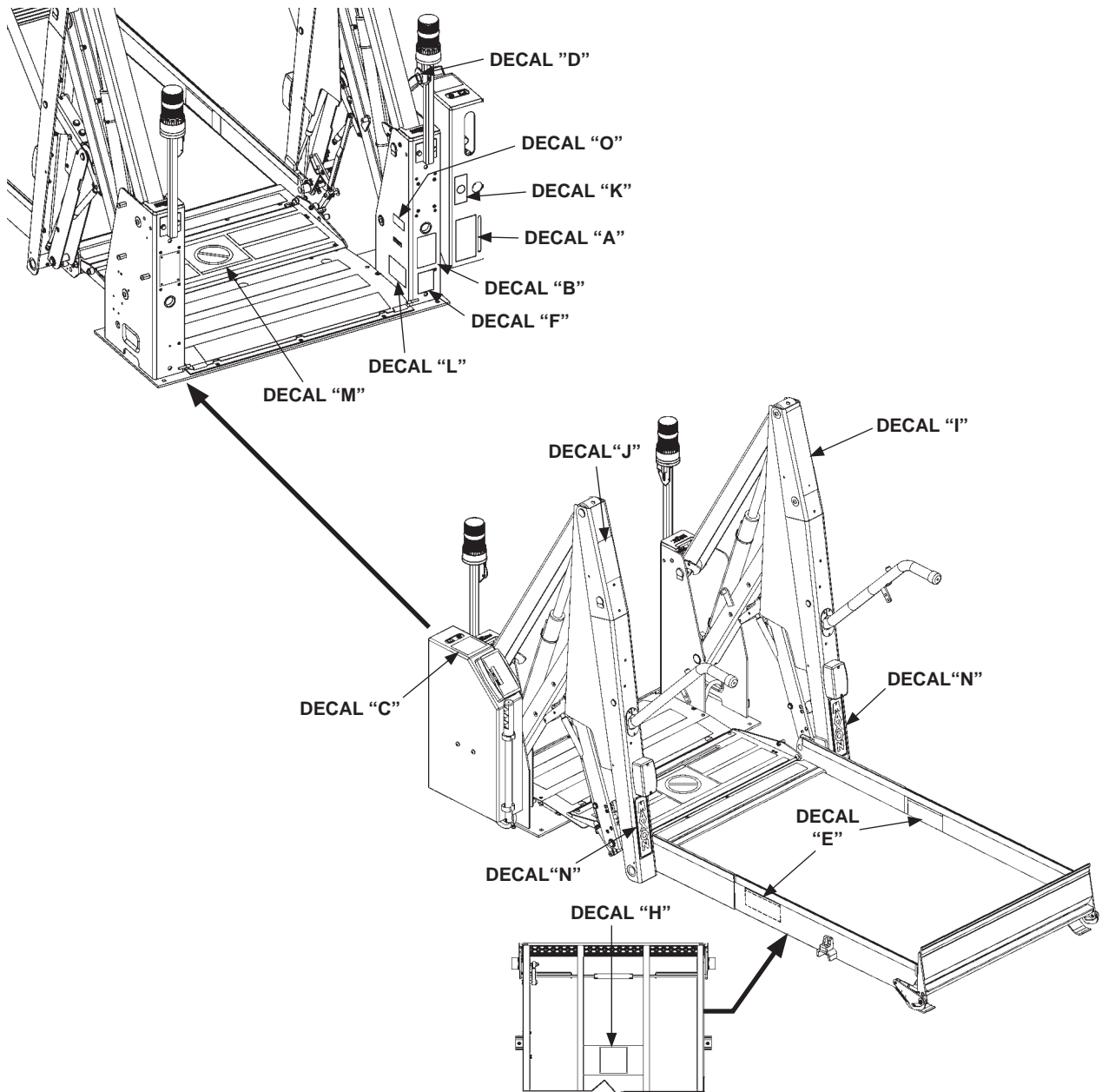
ITEM	QTY.	PART NO.	DESCRIPTION
26	1	267616-01	RAMP SWITCH WIRE ASSEMBLY
27	1	267464-01	CABLE ASSEMBLY
28	1	268250-02	HAND PENDANT, ARMORED
29	1	267355-01	HOOK (PENDANT CABLE STORAGE)
30	1	268039-01	BRACKET, PENDANT HOLDER
31	1	267654-01	SWITCH ASSY (GROUND SWITCH, 5-1/2" LG. WIRING)
32	1	267653-01	SWITCH ASSY (OUTBOARD SWITCH, 7-1/2" LG. WIRING)

**MAXON**<sup>®</sup> 11921 Slauson Ave. Santa Fe Springs, CA. 90670 (800) 227-4116 FAX (888) 771-7713

# DECALS AND DECAL PLACEMENT

**MAXON**<sup>®</sup>

11921 Slauson Ave. Santa Fe Springs, CA. 90670 (800) 227-4116 FAX (888) 771-7713



**FIG. 70-1**

All **WARNING**, **CAUTION**, and **OPERATION** decals provided with Wheelchair Lift must always be in place on the Lift and vehicle (see **FIG. 73-1**), and must always be legible. If decals are missing or illegible, get free replacement decals from:

**MAXON Lift Corp. - Customer Service**  
 11921 Slauson Ave., Santa Fe Springs, CA 90670  
 Phone: (800) 227-4116 FAX: (888) 771-7713  
 E-mail: [cservice@maxonlift.com](mailto:cservice@maxonlift.com)

# DECALS FOR WL7-vers. C

## BACKUP OPERATING INSTRUCTIONS FOR UNLOADING PASSENGERS DOT-PUBLIC USE LIFT **A**

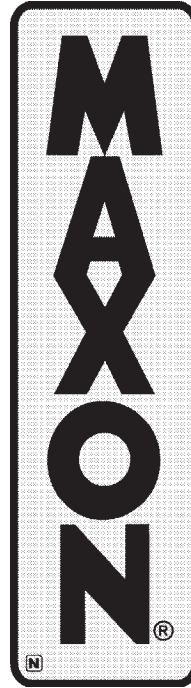
1. PUMP TO PRESSURIZE
2. RAISE LH & RH LATCHES
3. 1/4 - 1/2 TURN OPEN VALVE
4. UNFOLD
5. TIGHTEN CLOSE VALVE
6. LOAD OCCUPANT
7. 1/4 - 1/2 TURN OPEN VALVE
8. LOWER & UNLOAD OCCUPANT
9. TIGHTEN CLOSE VALVE

## BACKUP OPERATING INSTRUCTIONS FOR LOADING PASSENGERS DOT-PUBLIC USE LIFT **B**

1. LOAD OCCUPANT
2. TIGHTEN CLOSE VALVE
3. PUMP
4. RAISE & UNLOAD OCCUPANT
5. PUMP
6. STOW

**CAUTION**

Prevent injury & damage to lift. Make sure Rollstop rests on top of Threshold Plate before loading & unloading passengers. Raise or lower Platform until Rollstop rests correctly on Threshold Plate.



## OPERATING INSTRUCTIONS DOT-PUBLIC USE LIFT

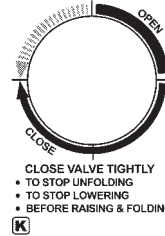
- UNFOLD LIFT:**
1. FULLY OPEN AND SECURE WHEELCHAIR DOOR(S).
  2. MAKE SURE SEAT BELT IS FASTENED IF EQUIPPED.
  3. PUSH FOLD SWITCH FOR 1-2 SECONDS.
  4. PUSH UNFOLD SWITCH TO UNFOLD PLATFORM TO VEHICLE FLOOR LEVEL.
- LOAD PASSENGERS:**
1. PUSH DOWN SWITCH TO LOWER PLATFORM TO GROUND LEVEL.
  2. UNFASTEN SEAT BELT IF EQUIPPED.
  3. POSITION WHEELCHAIR IN THE CENTER OF PLATFORM AND LOCK WHEELCHAIR BRAKES.
  4. FASTEN SEAT BELT IF EQUIPPED.
  5. PUSH UP SWITCH TO RAISE PLATFORM TO VEHICLE FLOOR LEVEL.
  6. RELEASE WHEELCHAIR BRAKES.
  7. LOAD WHEELCHAIR IN VEHICLE.
- UNLOAD PASSENGERS:**
1. POSITION WHEELCHAIR IN THE CENTER OF PLATFORM AND LOCK WHEELCHAIR BRAKES.
  2. MAKE SURE SEAT BELT IS FASTENED IF EQUIPPED.
  3. PUSH DOWN SWITCH TO LOWER PLATFORM TO GROUND LEVEL.
  4. UNFASTEN SEAT BELT IF EQUIPPED.
  5. RELEASE WHEELCHAIR BRAKES.
  6. UNLOAD WHEELCHAIR FROM PLATFORM.
- STOW LIFT:**
- FROM VEHICLE FLOOR LEVEL**
1. MAKE SURE PLATFORM IS EMPTY AND SEAT BELT IS FASTENED IF EQUIPPED.
  2. PUSH FOLD SWITCH UNTIL PLATFORM FOLDS COMPLETELY UNDER HYDRAULIC PRESSURE.
- FROM GROUND LEVEL**
1. MAKE SURE PLATFORM IS EMPTY AND SEAT BELT IS FASTENED IF EQUIPPED.
  2. PUSH UP SWITCH TO RAISE PLATFORM TO VEHICLE FLOOR LEVEL.
  3. PUSH FOLD SWITCH UNTIL PLATFORM FOLDS COMPLETELY UNDER HYDRAULIC PRESSURE.



**STANDING POSITION ON PLATFORM**

Position a standing passenger in center of platform between handrails, gripping handrails, and facing direction of travel.

- BACKUP OPERATION**
- TO UNFOLD, OPEN VALVE SLOWLY
  - TO LOWER, OPEN VALVE



**Chassis Electrical Ground**

The surface finish of this lift is powder coat paint. To insure a proper electrical ground to the vehicle chassis remove the paint from the area around the chassis grounding strap mounting bolt hole by grinding or sanding the surface to expose bare metal. Also, remove any undercoating from the surface of the vehicle chassis where the strap will be fastened.

The MAXON Lift Corp. certifies that this wheelchair lift conforms to all applicable requirements of the Americans w/Disabilities Act of 1990, current National School Transportation Specifications and Procedures, and the California Code of Regulations requirements in effect on the date of manufacture.

## WARNING

THIS WHEELCHAIR LIFT MUST BE OPERATED BY AN ATTENDANT. DO NOT ATTEMPT TO RIDE LIFT WITHOUT THE ASSISTANCE OF AN ATTENDANT. IMPROPER OPERATION OF THIS LIFT CAN RESULT IN SERIOUS PERSONAL INJURY. DO NOT OPERATE UNLESS YOU HAVE BEEN PROPERLY INSTRUCTED AND HAVE READ, AND ARE FAMILIAR WITH, THE OPERATING INSTRUCTIONS AND SAFETY SUMMARY CONTAINED IN THE OPERATOR'S MANUAL. IF YOU DO NOT HAVE A COPY OF THE OPERATOR'S MANUAL, ADDITIONAL COPIES ARE AVAILABLE FROM:

**MAXON LIFT CORP.**  
11921 SLAUSON AVE  
SANTA FE SPRINGS, CA 90670  
(800) 227-4116  
WWW.MAXONMOBILITY.COM

DO NOT EXCEED RATED LOAD CAPACITY OF LIFT WHICH IS:

**800 lbs. (364 kg)**

**WARNING**

To avoid possible injury, stand clear of the Lift Platform.

**CAUTION**

To avoid possible injury and damage to equipment, never stand on Rollstop while Lift is operating.

DOT-  
Public Use Lift

DECAL SET P/N 268302-01  
FIG. 71-1

# DECALS AND DECAL PLACEMENT - Continued

## DECALS FOR WL7-vers. C-1K

**MAXON**<sup>®</sup>

11921 Slauson Ave. Santa Fe Springs, CA. 90670 (800) 227-4116 FAX (888) 771-7713

### BACKUP OPERATING INSTRUCTIONS FOR UNLOADING PASSENGERS DOT-PUBLIC USE LIFT **A**

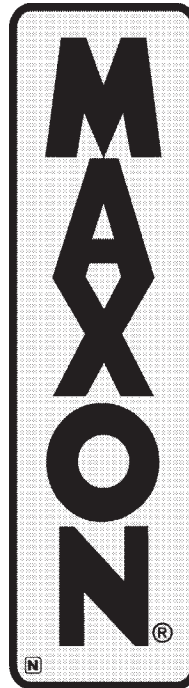
1. PUMP TO PRESSURIZE
2. RAISE LH & RH LATCHES
3. 1/4 - 1/2 TURN OPEN VALVE
4. TO FLOOR UNFOLD
5. TIGHTEN CLOSE VALVE
6. LOAD OCCUPANT
7. 1/4 - 1/2 TURN OPEN VALVE
8. LOWER & UNLOAD OCCUPANT
9. TIGHTEN CLOSE VALVE

### BACKUP OPERATING INSTRUCTIONS FOR LOADING PASSENGERS DOT-PUBLIC USE LIFT **B**

1. LOAD OCCUPANT
2. TIGHTEN CLOSE VALVE
3. PUMP
4. TO FLOOR RAISE & UNLOAD OCCUPANT
5. PUMP
6. STOW

**CAUTION**

Prevent injury & damage to lift. Make sure Rollstop rests on top of Threshold Plate before loading & unloading passengers. Raise or lower Platform until Rollstop rests correctly on Threshold Plate.



### OPERATING INSTRUCTIONS DOT-PUBLIC USE LIFT

- UNFOLD LIFT:**
1. FULLY OPEN AND SECURE WHEELCHAIR DOOR(S).
  2. MAKE SURE SEAT BELT IS FASTENED IF EQUIPPED.
  3. PUSH FOLD SWITCH FOR 1-2 SECONDS.
  4. PUSH UNFOLD SWITCH TO UNFOLD PLATFORM TO VEHICLE FLOOR LEVEL.
- LOAD PASSENGERS:**
1. PUSH DOWN SWITCH TO LOWER PLATFORM TO GROUND LEVEL.
  2. UNFASTEN SEAT BELT IF EQUIPPED.
  3. POSITION WHEELCHAIR IN THE CENTER OF PLATFORM AND LOCK WHEELCHAIR BRAKES.
  4. FASTEN SEAT BELT IF EQUIPPED.
  5. PUSH UP SWITCH TO RAISE PLATFORM TO VEHICLE FLOOR LEVEL.
  6. RELEASE WHEELCHAIR BRAKES.
  7. LOAD WHEELCHAIR IN VEHICLE.
- UNLOAD PASSENGERS:**
1. POSITION WHEELCHAIR IN THE CENTER OF PLATFORM AND LOCK WHEELCHAIR BRAKES.
  2. MAKE SURE SEAT BELT IS FASTENED IF EQUIPPED.
  3. PUSH DOWN SWITCH TO LOWER PLATFORM TO GROUND LEVEL.
  4. UNFASTEN SEAT BELT IF EQUIPPED.
  5. RELEASE WHEELCHAIR BRAKES.
  6. UNLOAD WHEELCHAIR FROM PLATFORM.
- STOW LIFT:**
- FROM VEHICLE FLOOR LEVEL**
1. MAKE SURE PLATFORM IS EMPTY AND SEAT BELT IS FASTENED IF EQUIPPED.
  2. PUSH FOLD SWITCH UNTIL PLATFORM FOLDS COMPLETELY, UNDER HYDRAULIC PRESSURE.
- FROM GROUND LEVEL**
1. MAKE SURE PLATFORM IS EMPTY AND SEAT BELT IS FASTENED IF EQUIPPED.
  2. PUSH UP SWITCH TO RAISE PLATFORM TO VEHICLE FLOOR LEVEL.
  3. PUSH FOLD SWITCH UNTIL PLATFORM FOLDS COMPLETELY, UNDER HYDRAULIC PRESSURE.



### STANDING POSITION ON PLATFORM **E**

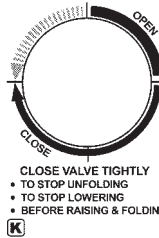
Position a standing passenger in center of platform between handrails, gripping handrails, and facing direction of travel.

- BACKUP OPERATION**
- TO UNFOLD, OPEN VALVE SLOWLY
  - TO LOWER, OPEN VALVE

### Chassis Electrical Ground **F**

The surface finish of this lift is powder coat paint. To insure a proper electrical ground to the vehicle chassis remove the paint from the area around the chassis grounding strap mounting bolt hole by grinding or sanding the surface to expose bare metal. Also, remove any undercoating from the surface of the vehicle chassis where the strap will be fastened.

The MAXON Lift Corp. certifies that this wheelchair lift conforms to all applicable requirements of the Americans w/Disabilities Act of 1990, current National School Transportation Specifications and Procedures, and the California Code of Regulations requirements in effect on the date of manufacture.



**WARNING**

To avoid possible injury, stand clear of the Lift Platform.

**CAUTION**

To avoid possible injury and damage to equipment, never stand on Rollstop while Lift is operating.

**WARNING**

THIS WHEELCHAIR LIFT MUST BE OPERATED BY AN ATTENDANT. DO NOT ATTEMPT TO RIDE LIFT WITHOUT THE ASSISTANCE OF AN ATTENDANT. IMPROPER OPERATION OF THIS LIFT CAN RESULT IN SERIOUS PERSONAL INJURY. DO NOT OPERATE UNLESS YOU HAVE BEEN PROPERLY INSTRUCTED AND HAVE READ, AND ARE FAMILIAR WITH, THE OPERATING INSTRUCTIONS AND SAFETY SUMMARY CONTAINED IN THE OPERATOR'S MANUAL. IF YOU DO NOT HAVE A COPY OF THE OPERATOR'S MANUAL, ADDITIONAL COPIES ARE AVAILABLE FROM:

MAXON LIFT CORP.  
11921 SLAUSON AVE.  
SANTA FE SPRINGS, CA 90670  
(800) 227-4116  
WWW.MAXONMOBILITY.COM

DO NOT EXCEED RATED LOAD CAPACITY OF LIFT WHICH IS:

**1000 lbs. (453 kg)**

DOT-Public Use Lift **G**

DECAL SET P/N 268302-03  
FIG. 72-1





# SERIAL PLATE & CONTROLLER

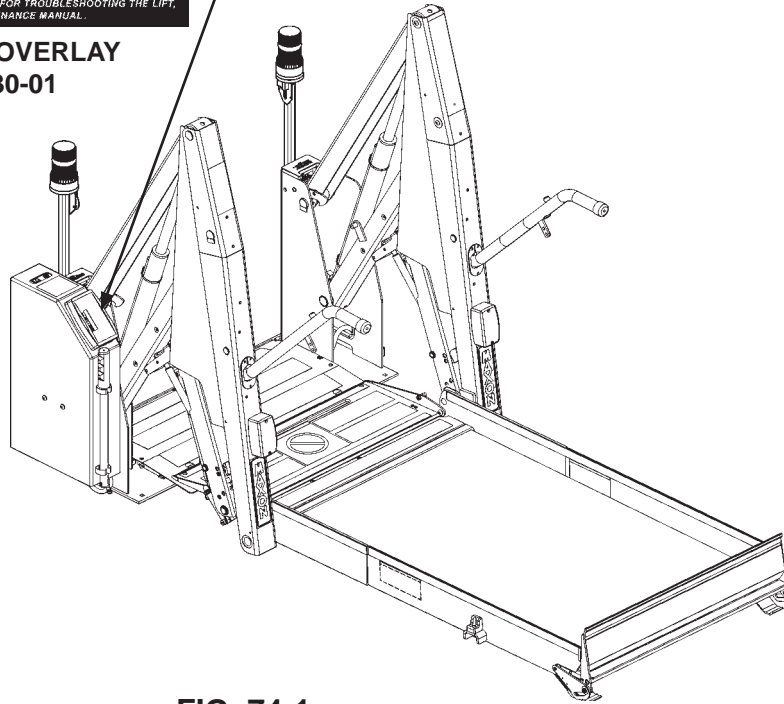
**MAXON**<sup>®</sup> 11921 Slauson Ave. Santa Fe Springs, CA. 90670 (800) 227-4116 FAX (888) 771-7713

**MAXON**<sup>®</sup> MOBILITY™ PATENTS PENDING  
 11921 Slauson Ave. Santa Fe Springs, CA 90670  
 (800) 227-4116

DOWN: PLATFORM IS LOWERING TO THE GROUND  
 FLOOR: PLATFORM IS AT VEHICLE FLOOR LEVEL  
 FOLD: PLATFORM IS FOLDING TO STOW LIFT  
 GROUND: PLATFORM IS ON THE GROUND  
 STOWED: LIFT STOWED CORRECTLY - INTERLOCK SIGNAL SENT TO VEHICLE  
 UNFOLD: PLATFORM IS UNFOLDING TO VEHICLE FLOOR LEVEL  
 UP: PLATFORM IS RISING TO VEHICLE FLOOR LEVEL

FOR MORE DISPLAY READINGS, SEE DISPLAY READINGS DECAL ON (OR NEAR) WHEELCHAIR DOOR. TO USE THE READINGS FOR TROUBLESHOOTING THE LIFT, SEE TROUBLESHOOTING SECTION IN MAINTENANCE MANUAL.

**CONTROLLER OVERLAY**  
**P/N 2667630-01**



**FIG. 74-1**

**MAXON**<sup>®</sup> MOBILITY™ PATENTS PENDING

SERIAL #

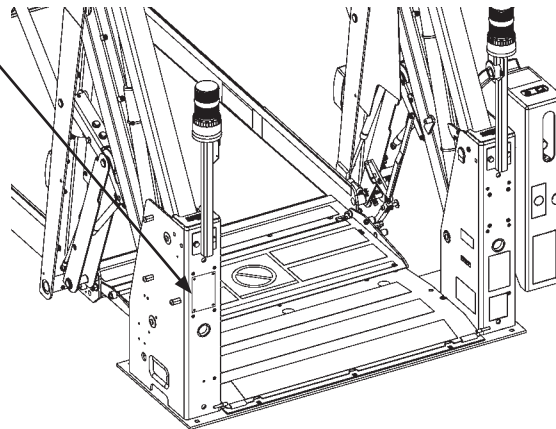
11921 SLAUSON AVE.  
 SANTA FE SPRINGS, CA 90670   
 800-227-4116 www.maxonmobility.com  
 MADE IN MEXICO

MODEL  CAPACITY  LBS.

MAY BE COVERED BY ONE OR MORE OF THE FOLLOWING PATENTS: 6,461,097 6,705,824

P/N 905246-8

**SERIAL PLATE**  
**P/N 905246-8**



**FIG. 74-2**

# ANTI-SLIP & SAFETY STRIPING (30" WIDE PLATFORM)

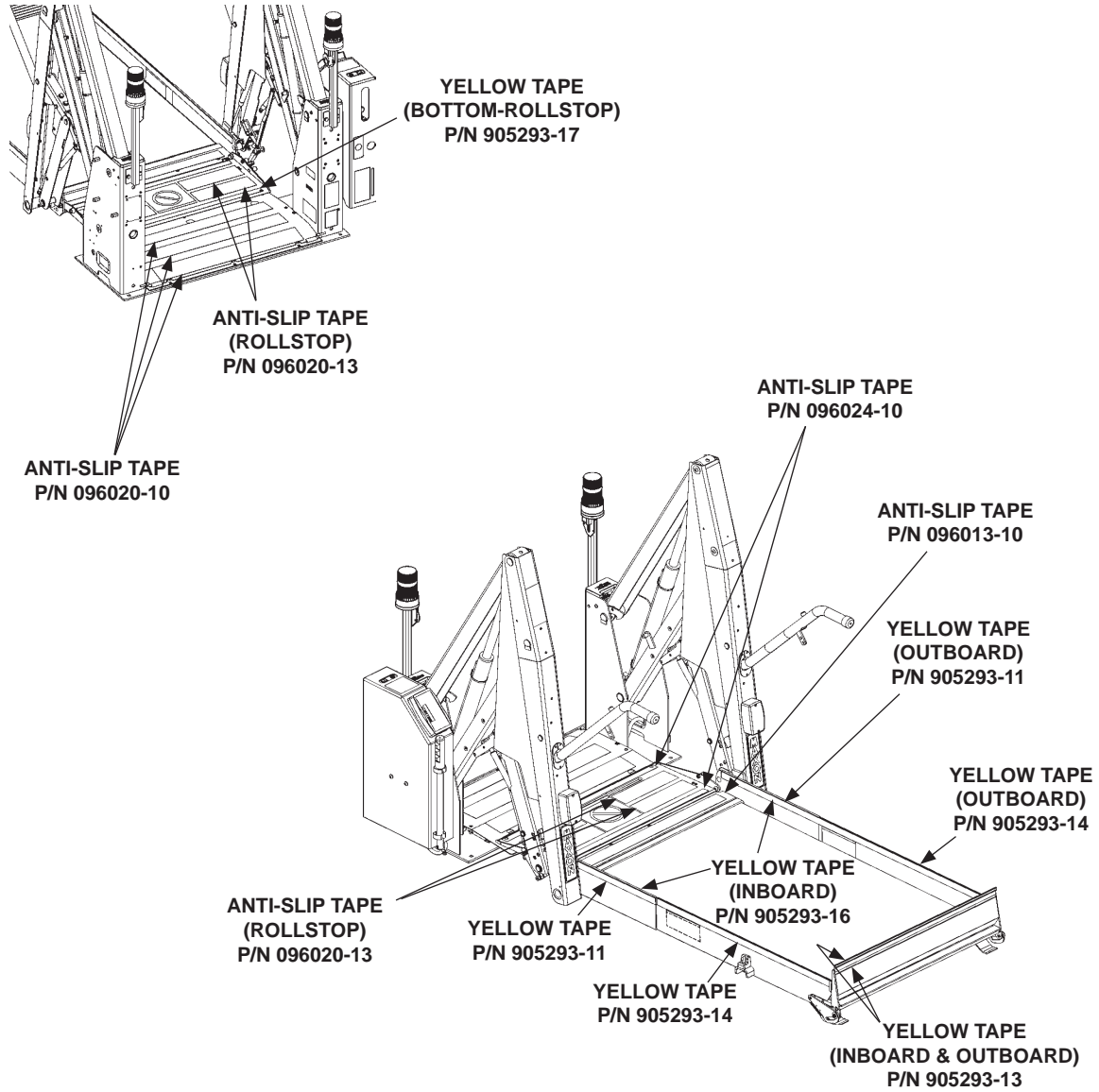


FIG. 75-1

# ANTI-SLIP & SAFETY STRIPING - Continued (33" WIDE PLATFORM)

**MAXON**<sup>®</sup>

11921 Slauson Ave. Santa Fe Springs, CA. 90670 (800) 227-4116 FAX (888) 771-7713

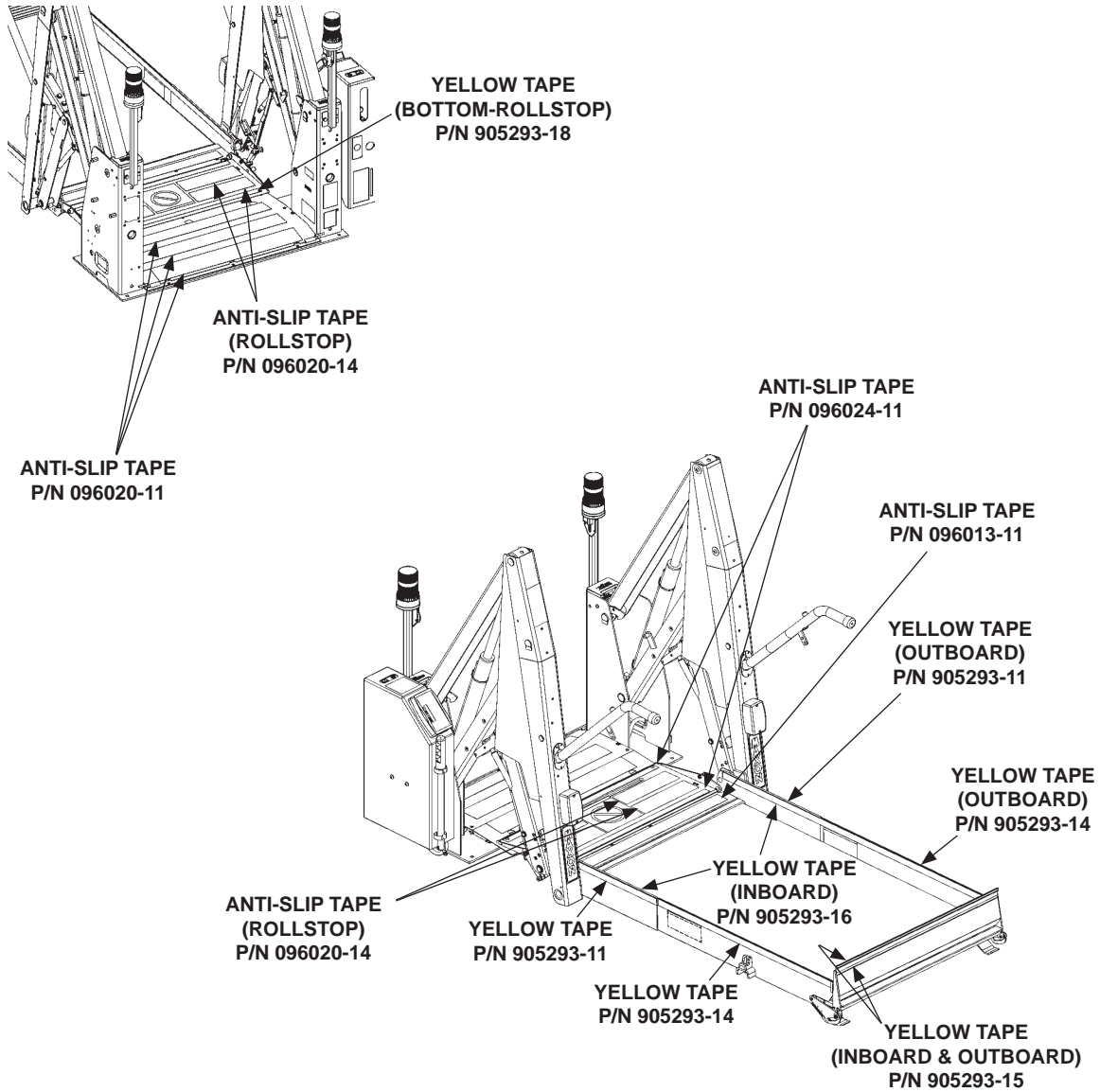
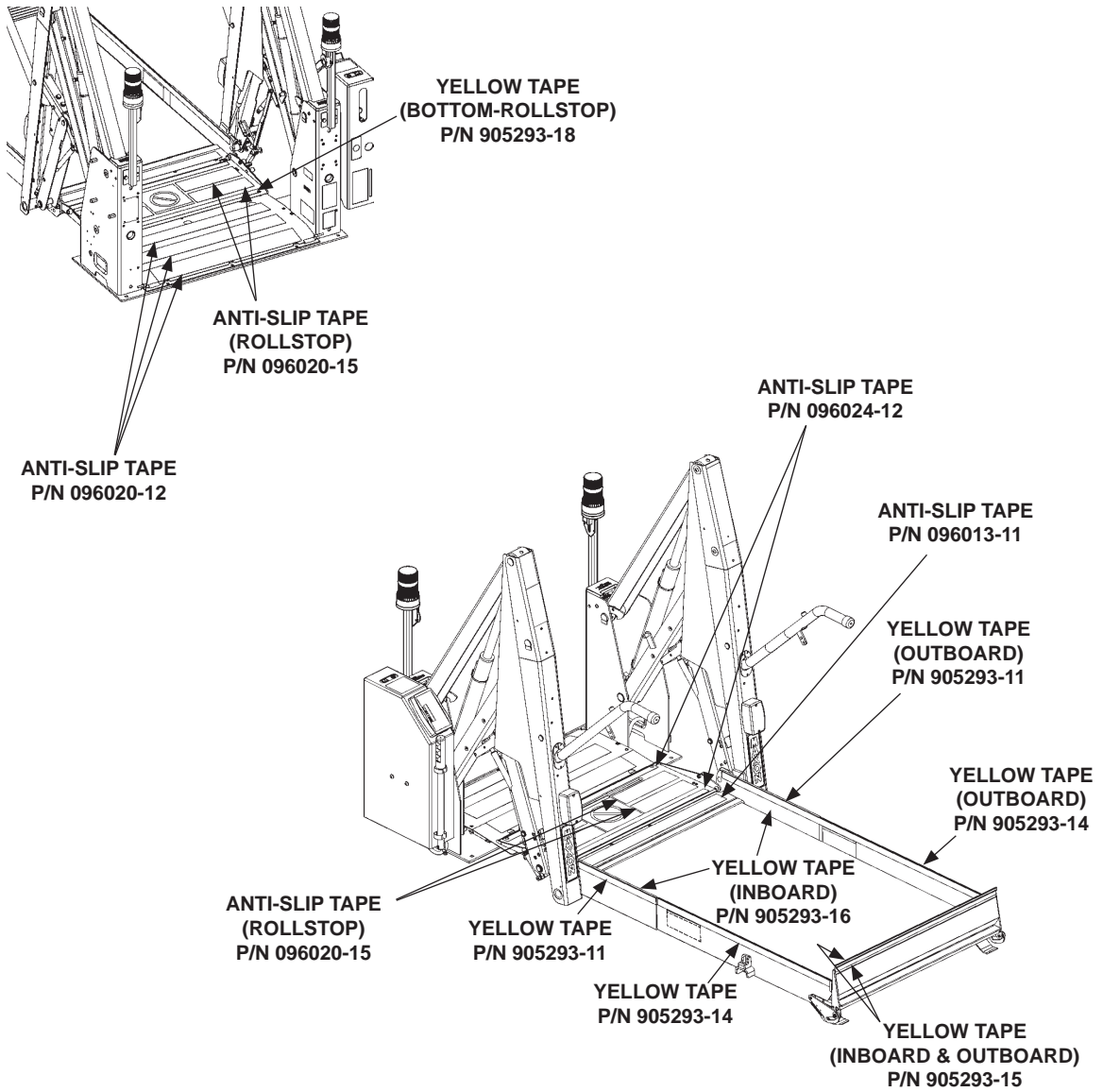


FIG. 76-1

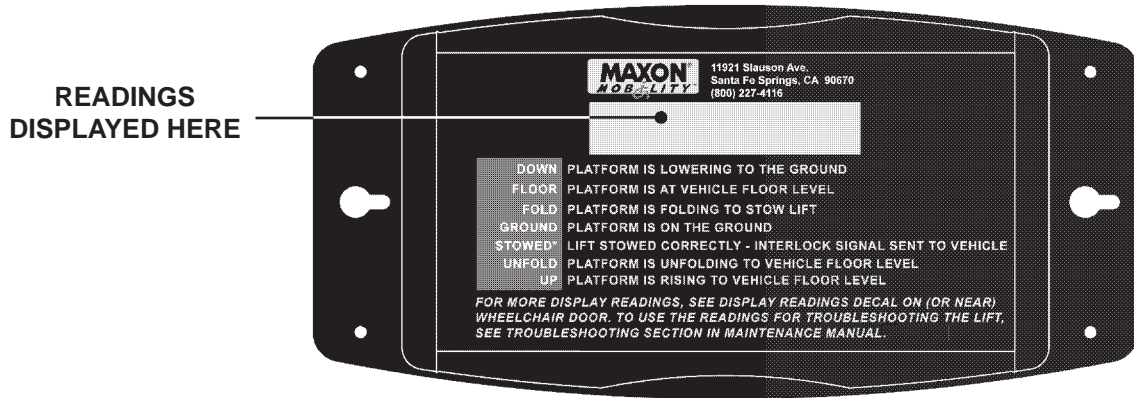
**(34" WIDE PLATFORM)**



**FIG. 77-1**

## TROUBLESHOOTING CONTROLLER DISPLAY READINGS

The controller (**FIG. 78-1**) may display any of the following readings while the Lift is operating. Some of the readings indicate normal operation, but some indicate trouble with the Lift or vehicle.



**LIFT CONTROLLER DISPLAY  
FIG. 78-1**

**STOWED\*** (Stowed Star):

Lift is operating normally and the controller (**FIG. 78-1**) is receiving the interlock signal from the vehicle. The platform has folded, passed the stow switch, and is stowed. The hydraulic system pressure is above 900 PSI and the Lift interlock signal is being sent to the vehicle.

**STOWED.\*** (Stowed Dot Star): Lift is operating normally and the controller (**FIG. 78-1**) receives the interlock signal from the vehicle. The platform folded, passed the stow switch, and is stowed. The hydraulic system pressure is below 900 PSI. If the vehicle engine is running, the controller recharges hydraulic system pressure every 5 minutes, the **dot (.)** will clear and controller (**FIG. 78-1**) will read **STOWED\***.

**STOWED** (Stowed): Lift is operating normally and the controller (**FIG. 78-1**) receives the interlock signal from the vehicle, but the Lift is not generating the signal for the vehicle interlock. The platform folded, passed the stow switch, and is stowed. The hydraulic system pressure is above 900 PSI. If vehicle interlock uses the absence of the Lift interlock signal and prevents the vehicle from being moved (Lift stowed improperly), the vehicle is unable to move until it receives the Lift interlock signal.

Corrective action:

1. Make sure the stow switch is adjusted correctly. If required, do the **STOW SWITCH ADJUSTMENT** in this manual. With the platform resting on the latches, the stow switch must be closed.
2. If the adjustment does not solve the problem, check the wire that sends the Lift interlock signal to the vehicle interlock (**see ELECTRICAL SYSTEM DIAGRAM**).

**STOWED.** (Stowed dot):

Lift is operating normally and the controller (**FIG. 78-1**) is receiving the vehicle's interlock signal, but the Lift is not generating the interlock signal for the vehicle interlock. The platform folded, passed the stow switch, and is stowed. The hydraulic system pressure is below 900 PSI. If the vehicle engine is running, the controller recharges hydraulic system pressure every 5 minutes, the “.” (**dot**) will go away and controller (**FIG. 78-1**) will read **STOWED**. If the vehicle interlock uses the absence of the Lift interlock signal and prevents the vehicle from being moved (Lift stowed improperly), the vehicle is unable to move until it receives the Lift interlock signal.

Corrective action:

1. Make sure the stow switch is adjusted correctly. If required, do the **STOW SWITCH ADJUSTMENT** in this manual. With the platform resting on the latches, the stow switch must be closed.
2. If the adjustment does not solve the problem, check the wire that sends the Lift interlock signal to the vehicle interlock (**see ELECTRICAL SYSTEM DIAGRAM**).

**INBRD SW:**

The inboard rollstop is not completely closed and locked in position, or the inboard rollstop switch is always open.

Corrective action:

1. Close the inboard rollstop. Make sure closing mechanism is working correctly.
2. If problem remains, do the following. With inboard rollstop open, push the switch actuator mechanism. If the **INBRD SW** reading clears, the wiring connections and switch are good. Do the **INBOARD SWITCH ADJUSTMENT**. If a different error message appears, i.e. **ANG SEN**, troubleshoot as instructed.
3. Check for cracks in the switch body and for loose spade terminals. Replace switch if damaged.
4. If the controller (**FIG. 78-1**) still reads **INBRD SW**, replace the controller.

**OUTBD SW:**

The outboard rollstop is not closed completely and locked in position, or the outboard rollstop switch is not functioning correctly.

Corrective action:

1. With the platform open and off the ground, manually lower the outboard rollstop. The controller should read **OUTBD SW**. Next, manually raise the outboard rollstop to the up and locked position. The **OUTBD SW** reading should clear when the outboard rollstop is up and locked. If the reading does not clear when outboard rollstop opens and closes:
  - Check and repair switch wiring
  - Replace switch or magnet
2. Check if the magnets are missing or fouled with debris. If missing, replace the magnet(s). If magnets are fouled, clean off the debris.
3. If the controller (**FIG. 78-1**) still reads **OUTBD SW**, replace the controller.

## CONTROLLER DISPLAY READINGS - Continued

### MATT ERR:

The Lift's threshold plate sensed pressure while the platform was unfolded and more than 1" below the vehicle floor. There may be a load or occupant on it, or it may need to be adjusted.

Corrective action:

1. Make sure the MAT switch is adjusted correctly. If required, do the **MAT SWITCH ADJUSTMENT** in this manual.
2. If adjustment does not solve the problem, do the following. Push the actuator lever on each of the 2 MAT switches (one at a time). If the **MAT ERR** reading appears while pushing on the actuator and clears when releasing the actuator, then the wiring connections and switch are good.
3. If the controller (**FIG. 78-1**) still reads **MAT ERR**, replace the controller.

### LOCK ERR:

Lift is not stowed, and the interlock signal from the vehicle does not reach the controller. For the vehicle interlock to send a signal to the Lift, the vehicle transmission must be in park or neutral, emergency or service brakes must be set, and Lift switch or other controls (as equipped) must be set correctly. Lift will operate until stowed. The Lift cannot operate until it receives the interlock signal from the vehicle.

## CAUTION

**To prevent a constant "LOCK ERR", never connect the brown interlock wire with the white (red-stripped) interlock wire.**

Corrective action:

1. Check all the conditions, controls, and settings on the vehicle interlock and then check the interlock connections to the Lift (**see ELECTRICAL SYSTEM DIAGRAM**).
2. Disconnect the vehicle interlock wire (white with red stripe) from the vehicle interlock wiring harness (**see ELECTRICAL SYSTEM DIAGRAM**). (The vehicle interlock wire is on the same side as the pump.) Connect the wire to ground. If the **LOCK ERR** reading is gone from the controller (**FIG. 78-1**), the Lift interlock is operating correctly. The vehicle interlock needs to be repaired.

### LOCKED:

This is a normal reading on the controller (**FIG. 78-1**) if the Lift is stowed and vehicle is being driven. It indicates the Lift cannot be operated because it is not receiving an interlock signal from the vehicle. The vehicle normally sends the interlock signal to the Lift when vehicle transmission is in park or neutral, emergency or service brakes are set, and Lift switch or other controls (as equipped) are set correctly. For the Lift to operate, the controller must display **STOWED (see STOWED\*, STOWED.\*, and STOWED)**.

**MAXON**<sup>®</sup>

11921 Slauson Ave. Santa Fe Springs, CA. 90670 (800) 227-4116 FAX (888) 771-7713



**STOW SW:**

The “Stow” switch is normally closed when the Lift is not stowed. This reading indicates the stow switch is broken or the wiring is disconnected or damaged.

**FOLD.** (Fold dot):

The platform does not pass the “Fold” switch, and the platform remains in position. The controller (**FIG. 78-1**) looks for a pressure reading that indicates an occupant is on the platform (50+ lbs). The platform must travel an adequate distance for the controller (measures hydraulic system pressure (PSI)) to determine if the platform can be folded. If the Lift stops folding in the middle of the platform occupant sensing area, the controller prevents the platform from folding. The platform must unfold completely to continue operating.

Corrective action:

Unfold the platform completely to floor level. The controller allows the platform to be folded and stowed.

**UNFOLD.** (Unfold dot):

The platform does not pass the “Fold” switch, and the platform remains positioned. The controller (**FIG. 78-1**) looks for a pressure reading that indicates an occupant is on the platform (50+ lbs). The controller prevents the platform from folding, allowing it only to unfold. The platform must unfold completely to continue operating the Lift.

Corrective action:

Unfold the platform completely to floor level. The controller allows the platform to be folded and stowed.

**UNFOLD. OCCUPIED** (Unfold dot Occupied):

Platform is occupied (50+ lbs. on platform) when trying to fold the platform.

Corrective action:

1. Remove occupant (or load) from platform.
2. If there is no occupant or load, go to diagnostic mode on the controller (**see DIAG-NOSTICS**) and read the hydraulic system pressure reading (PSI). It should read between 170PSI to 230PSI. If it is within range, the platform occupied pressure setting must be changed in the controller.
3. If it is not within range, do the **FLOOR POSITION ADJUSTMENT** procedure.

## CONTROLLER DISPLAY READINGS - Continued

### SEAT BLT:

For units equipped with a seat belt, seat belt is unbuckled.

Corrective action:

1. Buckle and unbuckle the seat belt. If the controller reads **SEAT BLT** when seat belt is unbuckled and clears when seat belt is buckled, the wiring connections and switch are good.
2. If the reading does not change, replace the seat belt.

### OCCUPIED:

There may be a load or occupant on the platform when the controller (**FIG. 78-1**) looks for a pressure reading that indicates a load/occupant on the platform (50+ lbs).

Corrective action:

1. Remove load or occupant from the platform.
2. If there is no load or occupant, go to diagnostic mode on the controller (**see DIAGNOSTICS**) and check the hydraulic system pressure reading (PSI). It should read between 170PSI to 230PSI. If reading is not within range, change the pressure transducer.
3. If the controller (**FIG. 78-1**) still reads **OCCUPIED**, replace the controller.

### ANG SEN:

The controller is not receiving a signal from the angle sensor (ILAPS switch).

Corrective action:

1. Check for disconnected or damaged ILAPS switch wiring.
2. Check for loosened ILAPS switch mounting plate and shaft connection.
3. If wiring is okay and switch is mounted tight, replace ILAPS switch.

### PSI SEN:

The pressure transducer reading is not within the acceptable range of hydraulic system pressure (PSI) for the function that Lift is performing.

Corrective action:

1. Check for disconnected or damaged pressure transducer wiring.
2. Ensure pressure transducer wiring is not routed next to the electric motor or wiring that carries high-current.

**NOTE:** Battery isolator devices, in the power supply circuit for the Lift, can drop enough voltage to produce a fault reading on the controller. MAXON recommends that a battery isolator should not be used in the power supply circuit for the Lift.

**LOW BAT:**

Battery voltage is below 12.2 volts. Controller allows the Lift to operate until battery voltage drops below 11.9 volts.

Corrective action:

1. Start the vehicle to charge battery.
2. If that does not help, check if the battery is bad.
3. If the battery is OK, check to see if it is charging.
4. If battery is not charging, make sure the power cable and ground cable are in good condition, and the connections on both ends are clean and tight.

**CHRG BAT:**

This reading appears when the platform is being raised or lowered and the battery voltage is below 11.9 volts. The controller will only allow the platform to be raised, folded, and stowed until battery is re-charged.

Corrective action:

1. Start the vehicle to charge battery.
2. If that does not help, check if the battery is bad.
3. If the battery is okay, check to see if it is charging.
4. If battery is not charging, make sure the power cable and ground cable are in good condition, and the connections on both ends are clean and tight.

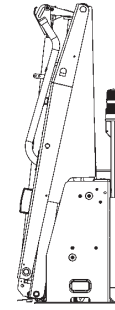
## DIAGNOSTIC MODE

### ⚠ CAUTION

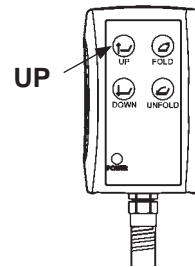
Leaning on any part of the Lift while doing this procedure could result in personal injury and affect some of the diagnostic readings on the controller.

To display diagnostic readings on the controller:

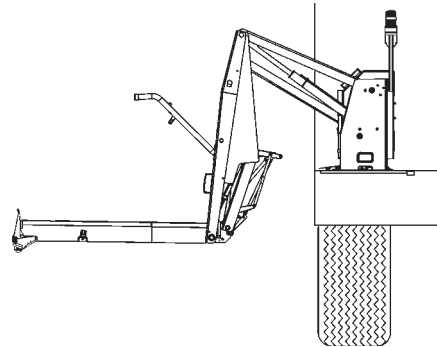
- If the platform is positioned above floor level (**FIG. 84-1**), press the **UP** button on the hand pendant (**FIG. 84-2**) rapidly 11 times.



**PLATFORM ABOVE FLOOR LEVEL (STOWED)**  
**FIG. 84-1**

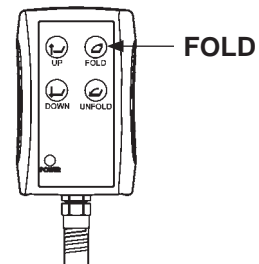


**HAND PENDANT**  
**FIG. 84-2**



**PLATFORM BELOW FLOOR LEVEL**  
**FIG. 84-3**

- If the platform is positioned below floor level (**FIG. 84-3**), press the **FOLD** button on the hand pendant (**FIG. 84-4**) rapidly 11 times.

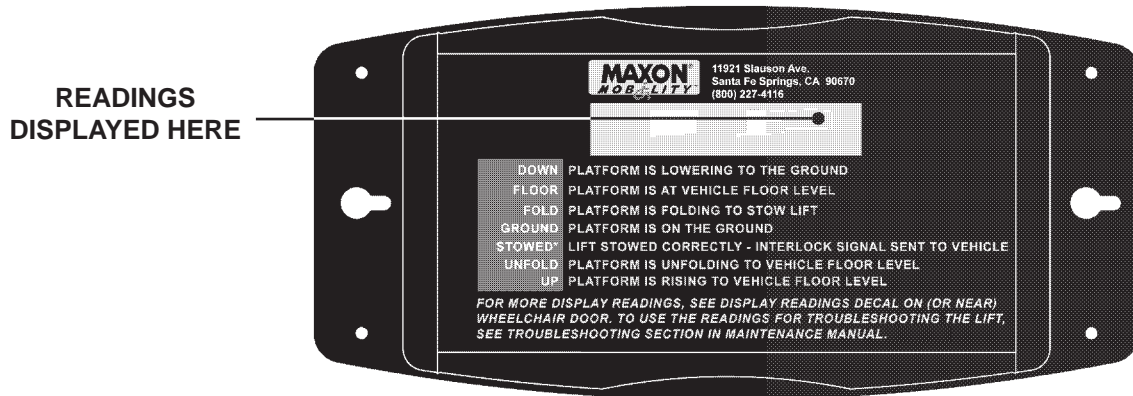


**HAND PENDANT**  
**FIG. 84-4**

**MAXON**<sup>®</sup>

11921 Slauson Ave. Santa Fe Springs, CA. 90670 (800) 227-4116 FAX (888) 771-7713

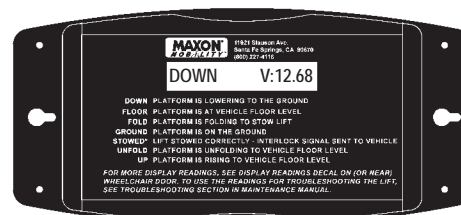
Once the diagnostic readings appear on the controller (**FIG. 85-1**), you can scroll through the readings. If you pushed the **UP** button to get to the diagnostic mode, use the **UP** button to scroll through the readings. If you pushed the **FOLD** button to get to the diagnostic mode, use the **FOLD** button to scroll through the readings.



**LIFT CONTROLLER DISPLAY**  
**FIG. 85-1**

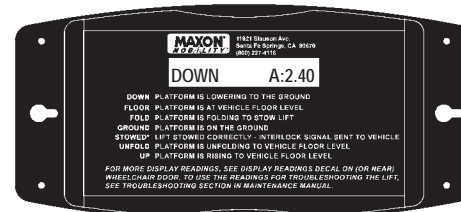
The controller (**FIG. 85-1**) will display the following readings. Push the button once for each reading.

1. Battery voltage (**FIG. 85-2**).



**EXAMPLE CONTROLLER DIAGNOSTIC READING**  
**FIG. 85-2**

2. Lift current (**FIG. 85-3**).

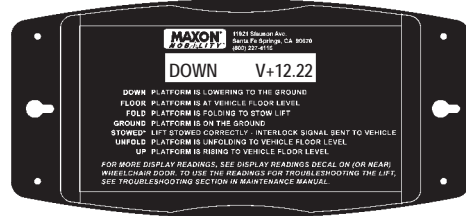


**EXAMPLE CONTROLLER DIAGNOSTIC READING**  
**FIG. 85-3**

MAXON® 11921 Slauson Ave. Santa Fe Springs, CA. 90670 (800) 227-4116 FAX (888) 771-7713

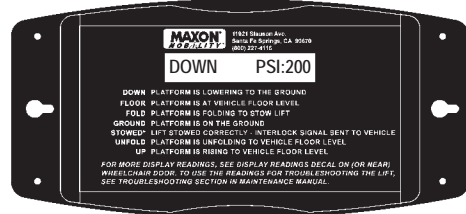
## DIAGNOSTIC MODE - Continued

### 3. Internal volts (FIG. 86-1).



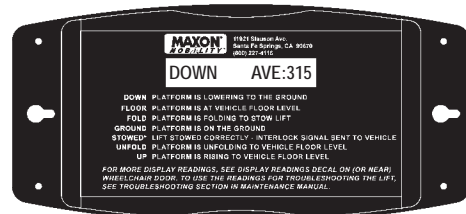
**EXAMPLE CONTROLLER  
DIAGNOSTIC READING  
FIG. 86-1**

### 4. Hydraulic pressure (FIG. 86-2).



**EXAMPLE CONTROLLER  
DIAGNOSTIC READING  
FIG. 86-2**

### 5. Average pre-fold pressure (FIG. 86-3).



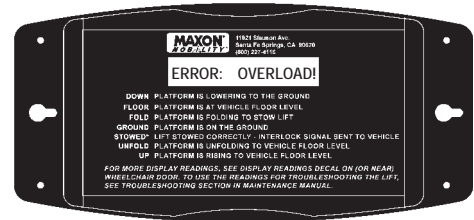
**EXAMPLE CONTROLLER  
DIAGNOSTIC READING  
FIG. 86-3**

**MAXON**<sup>®</sup>

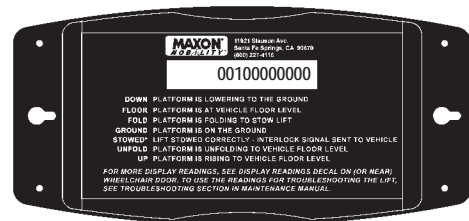
11921 Slauson Ave. Santa Fe Springs, CA. 90670 (800) 227-4116 FAX (888) 771-7713

## ELECTRICAL OVERLOAD ERRORS

Electrical overload error codes are not displayed when the controller is in diagnostic mode. They are only displayed on the controller when an electrical overload error occurs while operating the Lift. Each function of the Lift is assigned a limit on how much electrical current it can draw. If the electrical current goes over the limit, the controller stops the Lift to prevent damage. The controller display will show which Lift function was operating at the time of the electrical overload. The controller display will flash between **ERROR: OVERLOAD!** (FIG. 87-1) and an 11-digit code (i.e. 00100000000) (see FIG. 87-2 & TABLE 87-1). A “1” in the output code means that a specific function was on when the electrical overload occurred, and “0” means that a specific function was off when the electrical overload occurred.



**EXAMPLE CONTROLLER ERROR CODE READING**  
FIG. 87-1



**EXAMPLE CONTROLLER ERROR CODE READING**  
FIG. 87-2

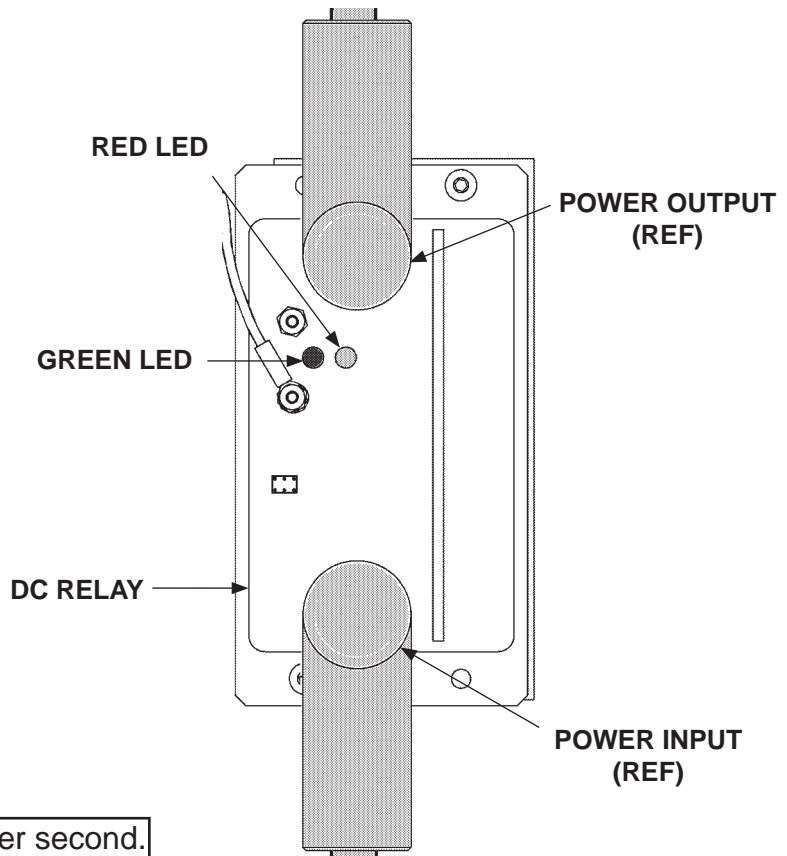
		ELECTRICAL OVERLOAD “ERROR” CODE READINGS ON THE CONTROLLER										
LIFT FUNCTIONS		NOT USED	NOT USED	RAISE (UP)	VALVE 2 (DOWN/UNFOLD)	EXTRA OUTPUT	VALVE 1 (DOWN/UP)	VISUAL	AUDIO	PLATFORM LIGHTS	TRANSDUCER	UNLATCH
CODE DIGITS		0	0	1	0	0	0	0	0	0	0	0

**EXAMPLE ELECTRICAL OVERLOAD CODE SHOWN FOR RAISE FUNCTION**  
TABLE 87-1

## DC RELAY READINGS

The DC Relay (**FIG. 88-1**) is a solid-state device for switching DC load current of up to 100 amps. Unlike a motor start switch (relay), the DC Relay uses only a few milliamps of current and has LED's to indicate normal operation or fault conditions (**FIG. 88-1 and TABLE 88-1**).

When the power switch on the Lift is turned on, it checks for power-related faults before applying power to the Lift. If a fault is detected, the DC Relay will not apply power to the Lift, and the green LED or red LED will indicate the applicable fault (**TABLE 88-1**).



**FIG. 88-1**

**NOTE:** A fast flash is 5 flashes per second.  
A slow flash is 1 flash per second.

ITEM	READING	CAUSE
1.	Green LED and Red LED flash on for .5 second	Battery power is connected to input of the relay. To save power, relay enters sleep mode until power is turned on at the Lift.
2.	Green LED on	Power switch was turned on at the Lift. Relay output is on.
3.	Green LED flashing fast	Voltage is above 16.5 V.
4.	Green LED flashing slowly	Voltage is below 8.0 V.
5.	Red LED flashing fast	Over current.
6.	Red LED flashing slowly	High temperature (over 100° C).
7.	Red LED displays 3 short flashes	Short in FET.
8.	Red LED displays 2 short flashes	Open in FET.

**TABLE 88-1**



# SYSTEM DIAGRAMS

## HYDRAULIC SYSTEM DIAGRAM

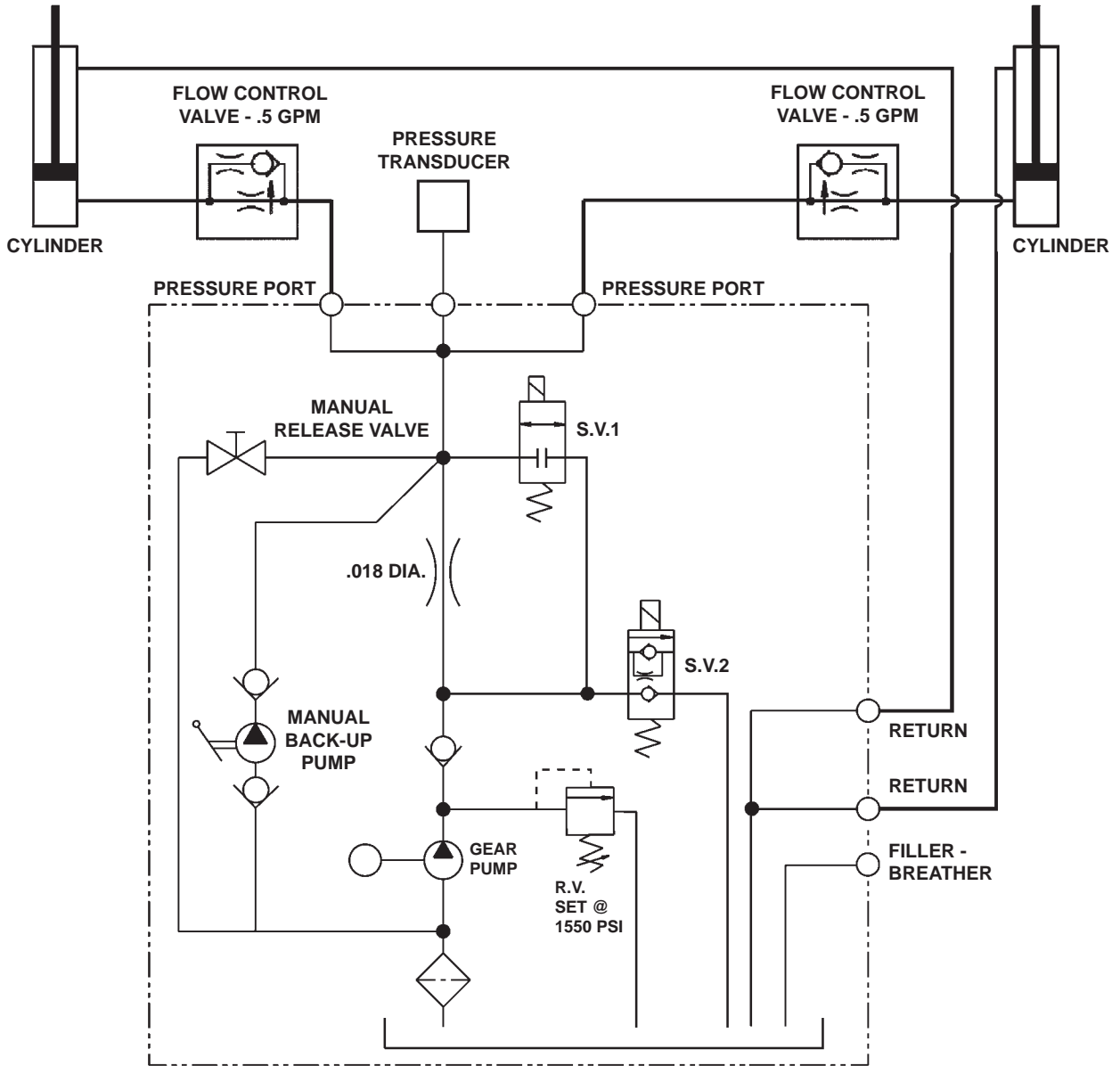


FIG. 89-1

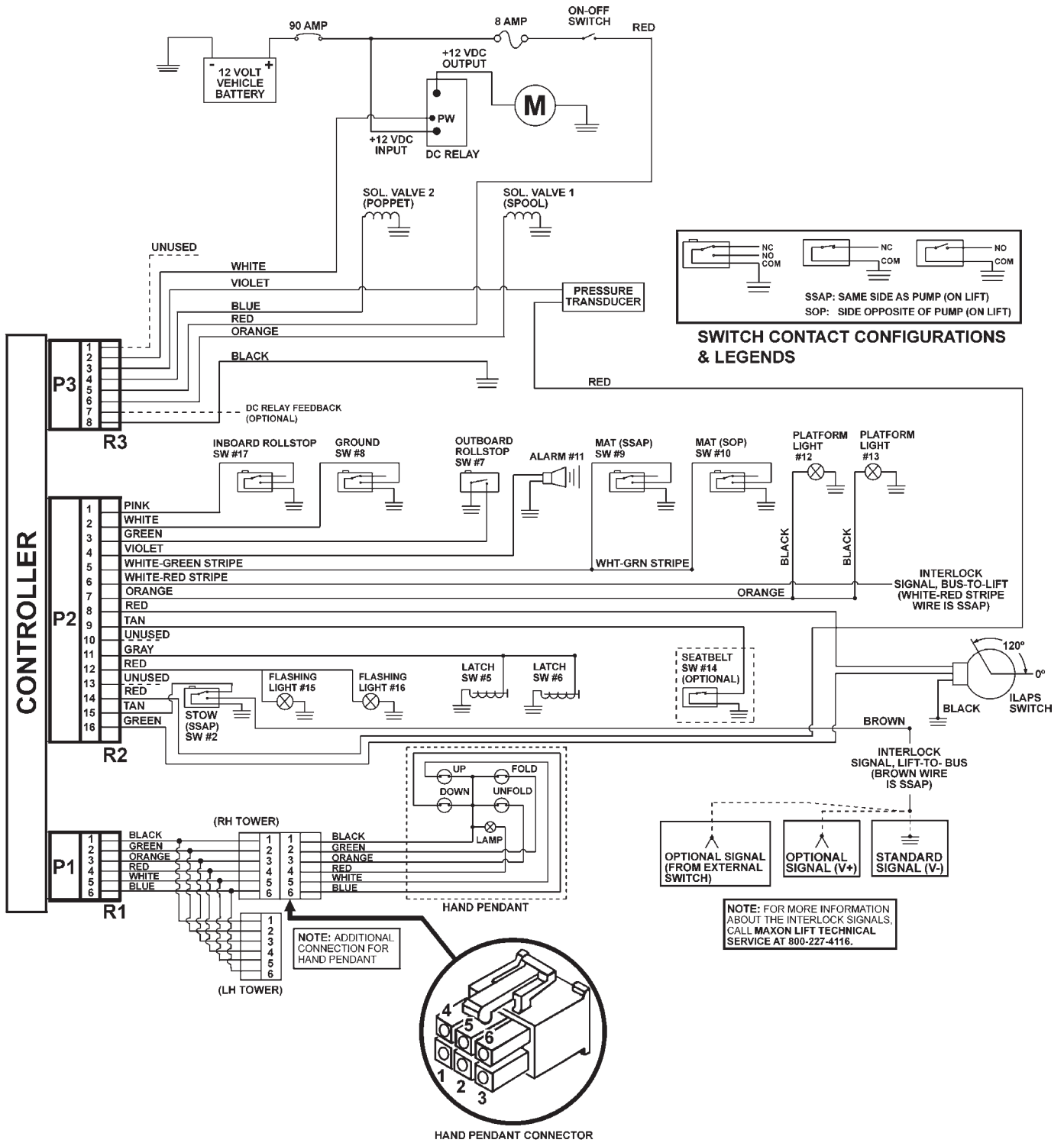
**MAXON**<sup>®</sup> 11921 Slauson Ave. Santa Fe Springs, CA. 90670 (800) 227-4116 FAX (888) 771-7713

# SYSTEM DIAGRAMS - Continued

## ELECTRICAL SYSTEM DIAGRAM

**MAXON**<sup>®</sup>

11921 Slauson Ave. Santa Fe Springs, CA. 90670 (800) 227-4116 FAX (888) 771-7713



**FIG. 90-1**

